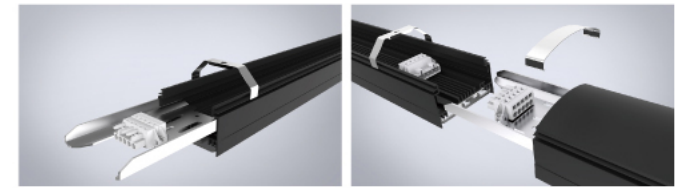
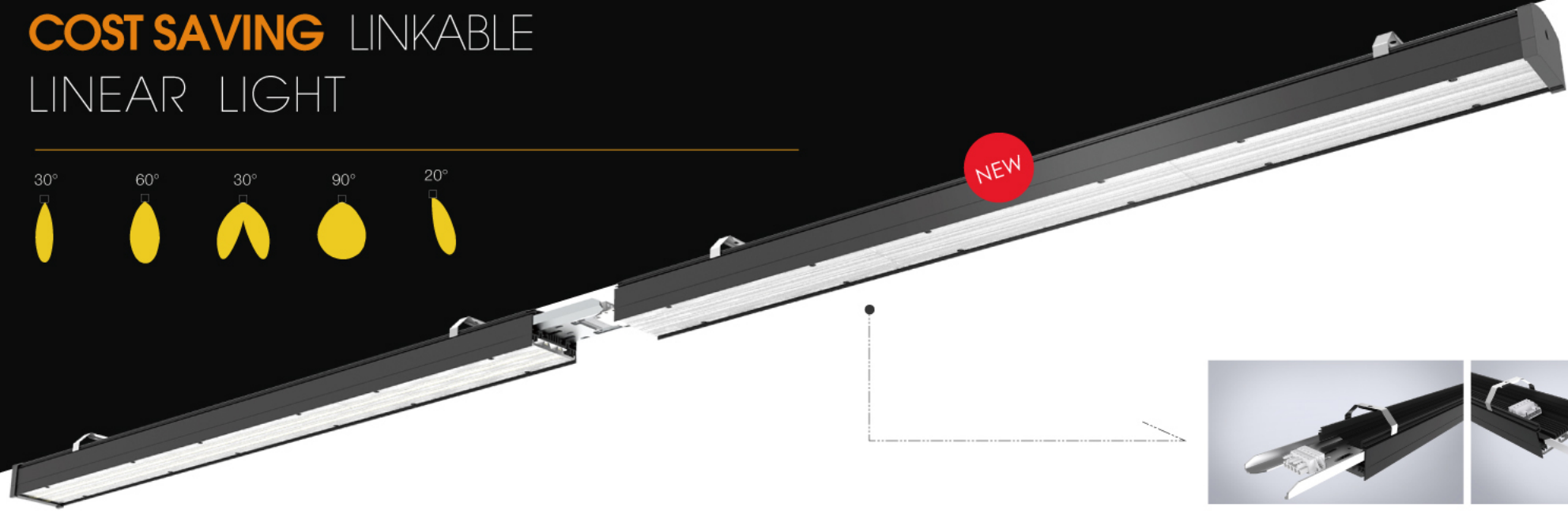


COST SAVING LINKABLE LINEAR LIGHT



NEW



50Meters MAX linkable dimmable pendant linear light

130
lm/W

5^{Years}
Warranty



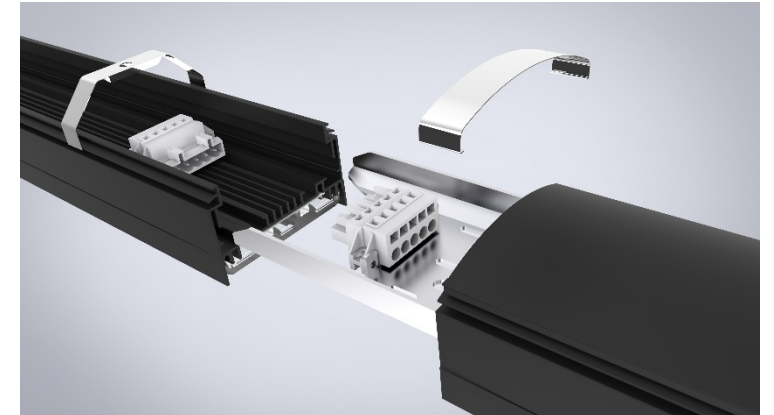
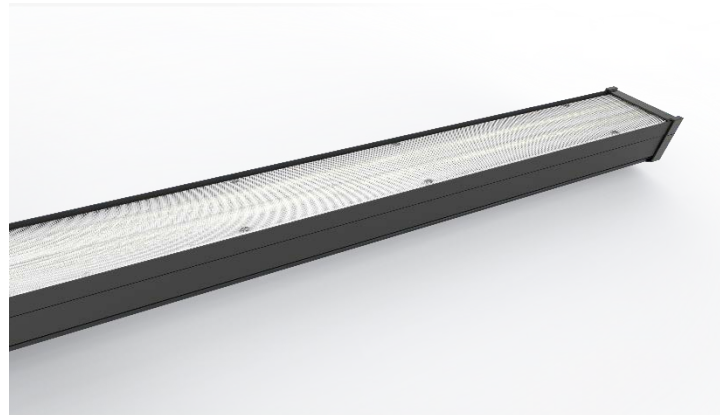
Shenzhen CL Lighting Technology Co.,Ltd.

2019-04-01

Brief introduction

Linkable dimmable linear lighting

- ✓ Length: 1000/1200/1500mm
- ✓ Wattage : 30W/40W/50W
- ✓ Track free, easy installation & maintenance
- ✓ Support 0-10V & DALI Dimming
- ✓ System Lumen : 130lm/w
- ✓ Max link-length : 50m
- ✓ CCT : 3000K, 4000K, 6000K
- ✓ CRI > 80
- ✓ Beam angle:
 - Symmetrical light: 30° / 60° / 90°
 - Polarized light: 20° / 30°
- ✓ Input Voltage : AC 220-240V
- ✓ Color option : White, black



Structure

A: Aluminum housing

B: PCB

C: LED lighting source

D: PMMA diffuser

E: Male Connector (5 lines)

F: Female Connector (5 lines)

G: PC cover

H: Steel fixture

I: Steel fixture

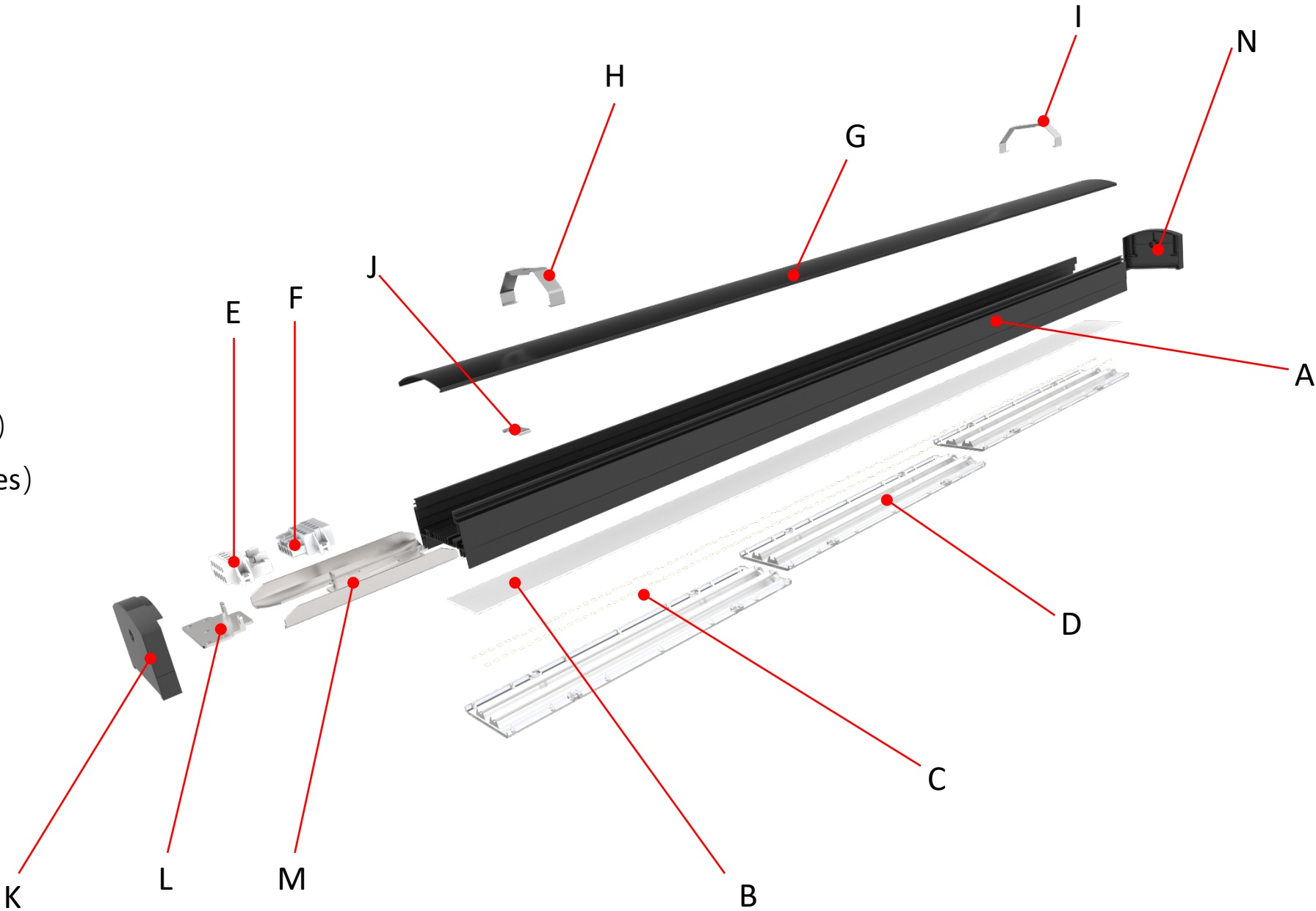
J: Wire fix accessories

K: End caps

L: Fixed metal piece

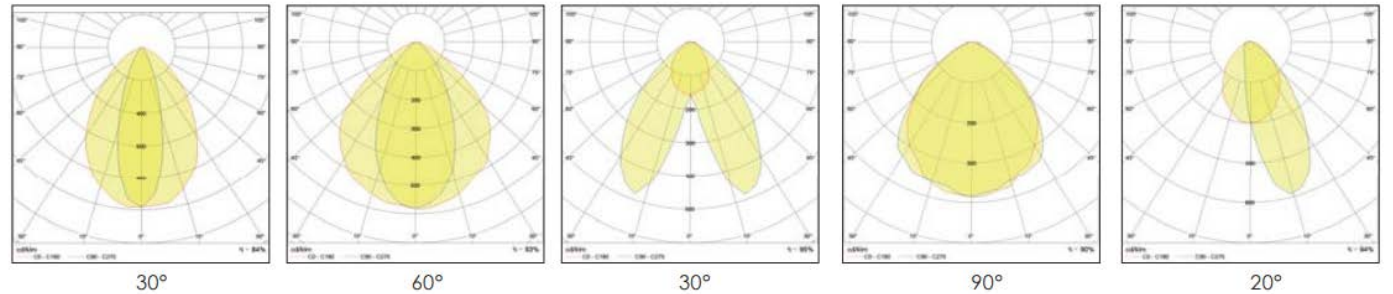
M: Connectors

N: End caps



Advantages

- ✓ Track free, save your budget for track rail.
- ✓ Easy installation & maintenance.
- ✓ Support 0-10V & DALI Dimming.
Energy-saving.
- ✓ Each linear light has its own power supply, to ensure the brightness is the same from the head to the tail.
- ✓ Beam angle:
 - Symmetrical light: 30° / 60° / 90°
 - Polarized light: 20° / 30°
- ✓ Long life-span : >50,000Hrs
- ✓ 5 years warranty



Application

- ✓ Warehouse
- ✓ Supermarket
- ✓ Workshop
- ✓ Office
- ✓ Gym
- ✓ Library etc.



Thank you!

Shenzhen CL Lighting Technology Co.,Ltd.

- Tel: + 86-180 9894 0656
- E-mail: CL@banqcn.com
- Contact: Mrs. Lan
- Floor 3 to 5, #1 build, 3rd industry zone, Shiyan, Shenzhen, GD, China. 518108
- Website: <https://www.cl-light.com> <https://banqcn.en.alibaba.com/>

View this product online: <https://www.cl-light.com/en/product/688.html>