

2.4G Touch controller



20m

Wireless remote control distance

- Signals are not blocked by obstacles and have the ability to penetrate



- Easy to operate, simply match the code then it can be used, can be repeat clear the code, match the code

- One to one



- One to many





RGB

Full rgb. Flicker free



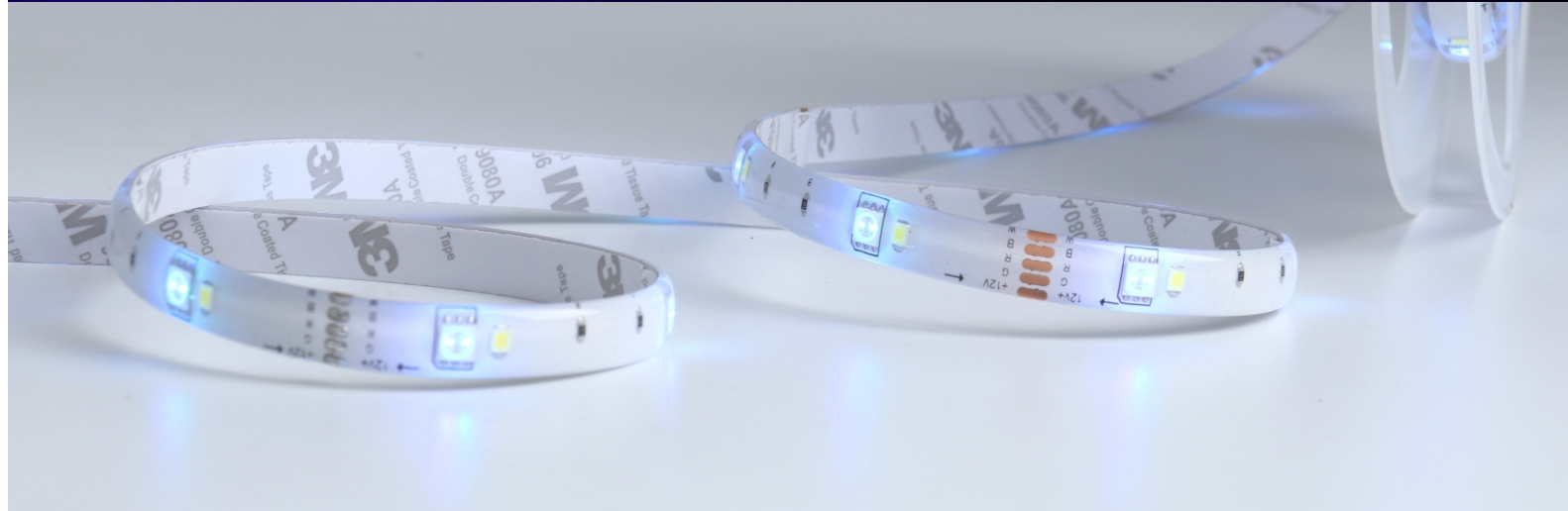
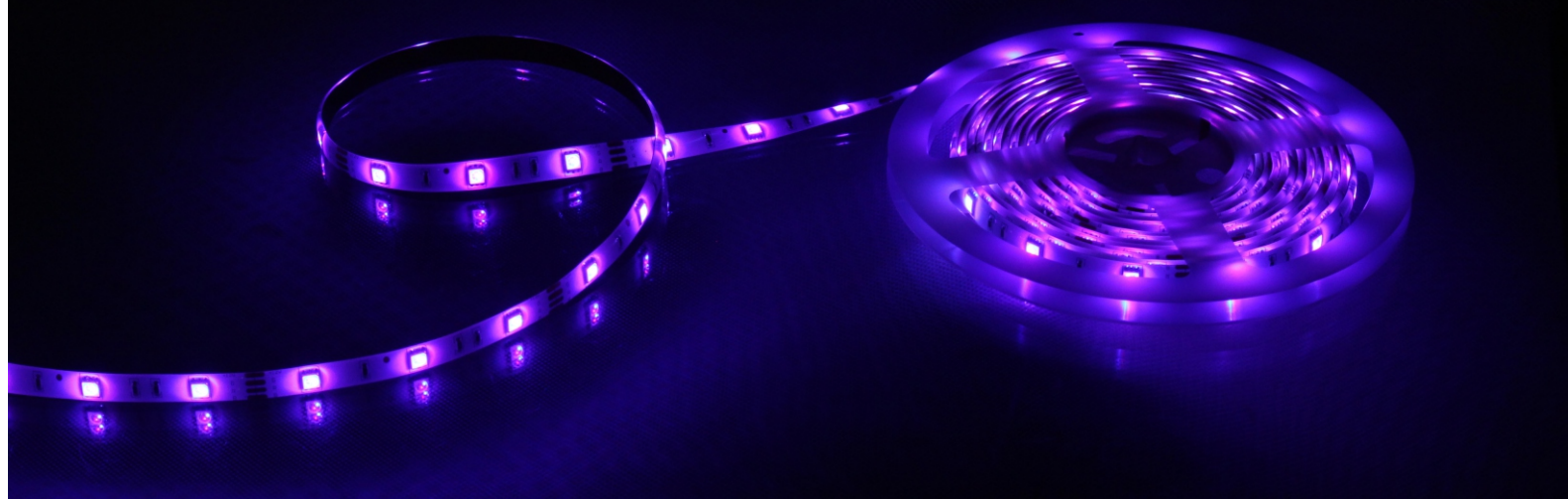
Brightness dimmable

0%–100%



Setting mode

12 modes for you
to choose from



Application



Hotel ▶



office ▶



◀ Home

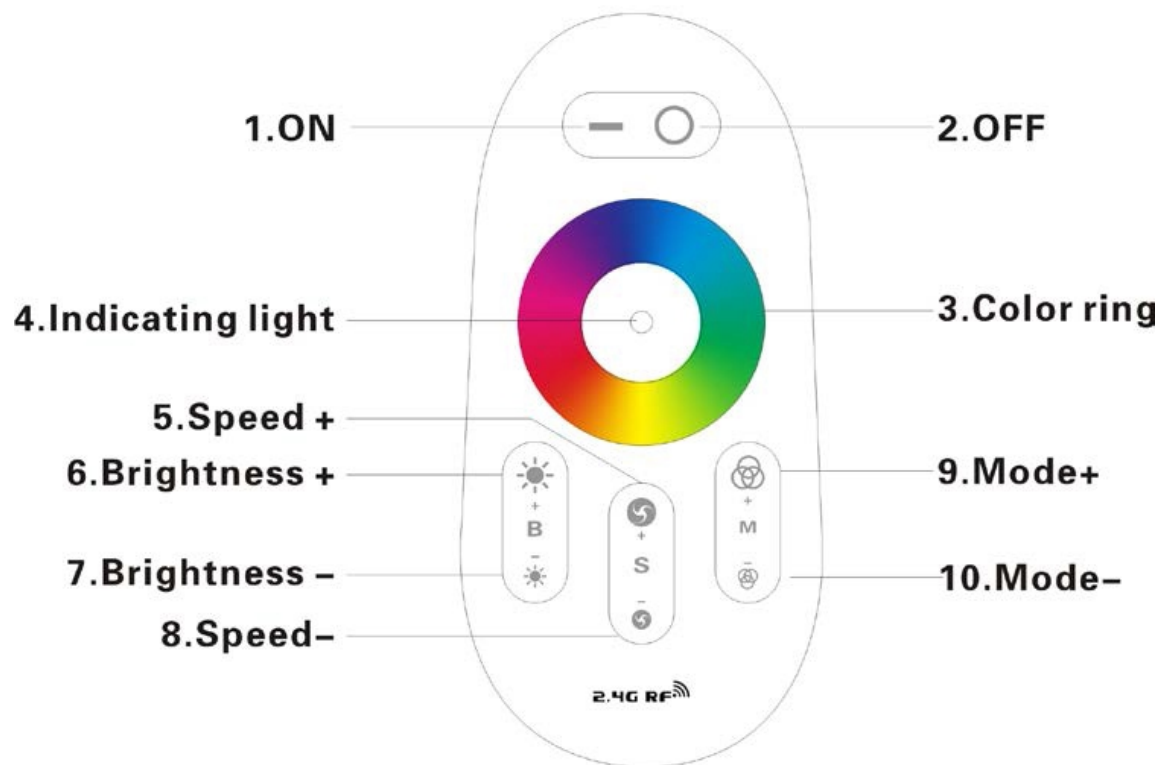
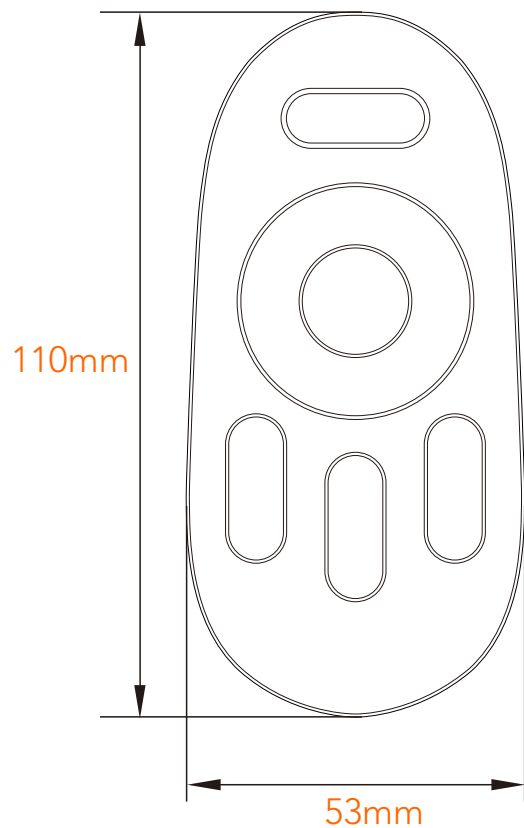


Apartment ▶



Function graphic

Remote Control



Parameters

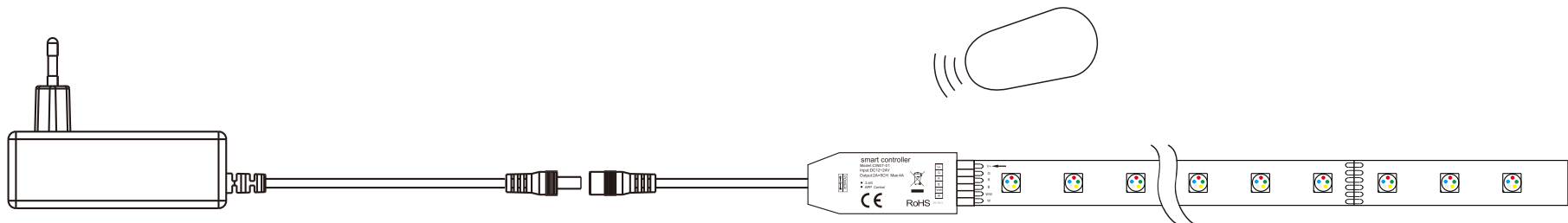
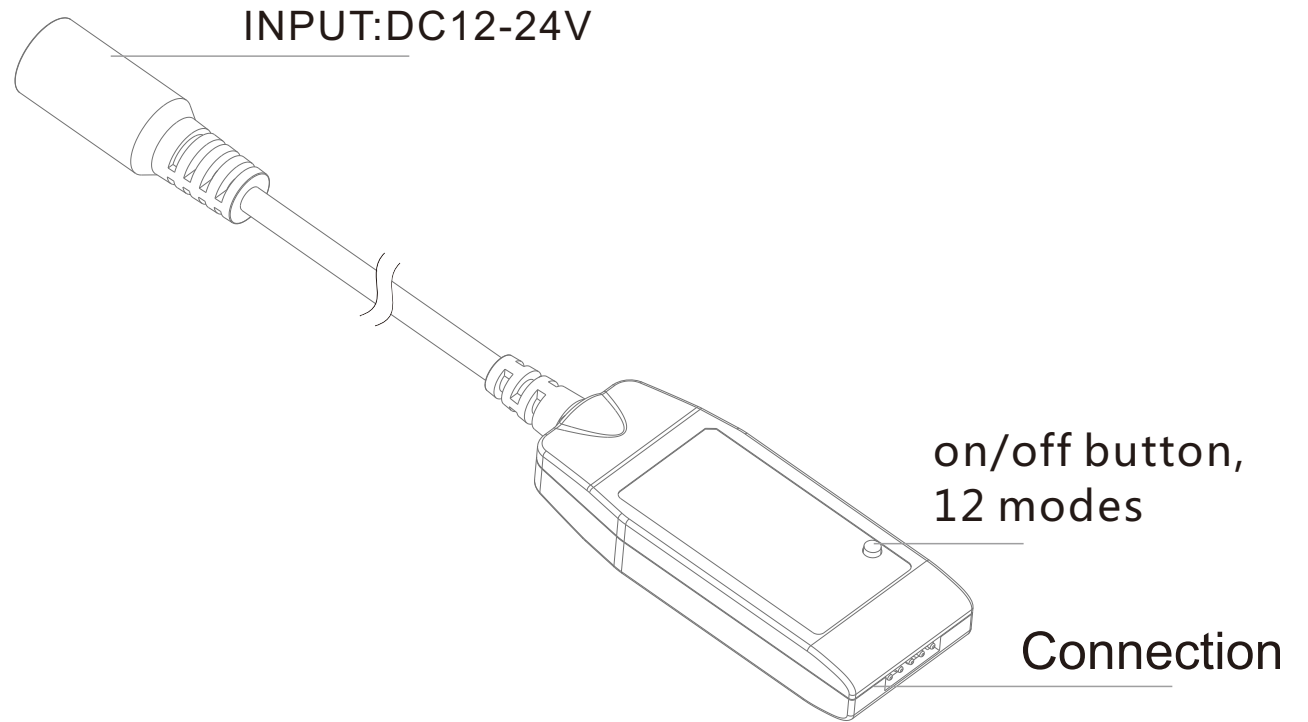
Working Voltage: 1.5V AAAX2
Connection: 2.4G
G.W.: 60g

Dimension: 110x53x20.5mm
Working temperature: -20°C~45°C

MINI Controller

Parameters

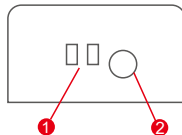
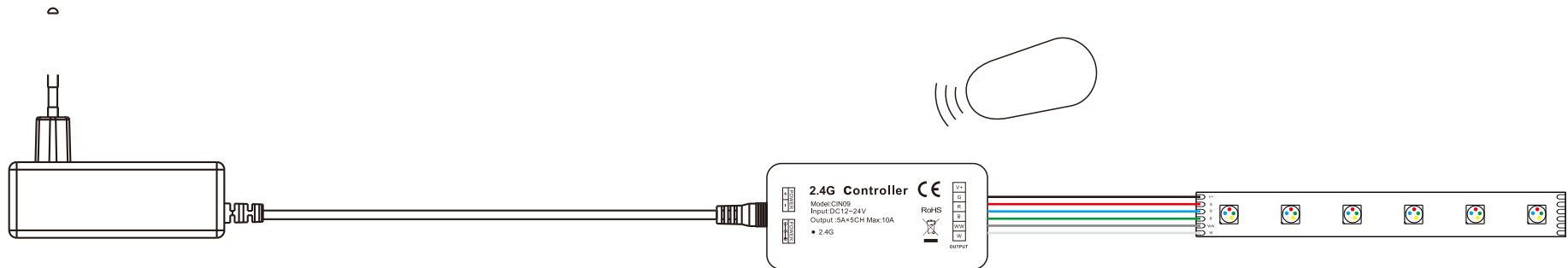
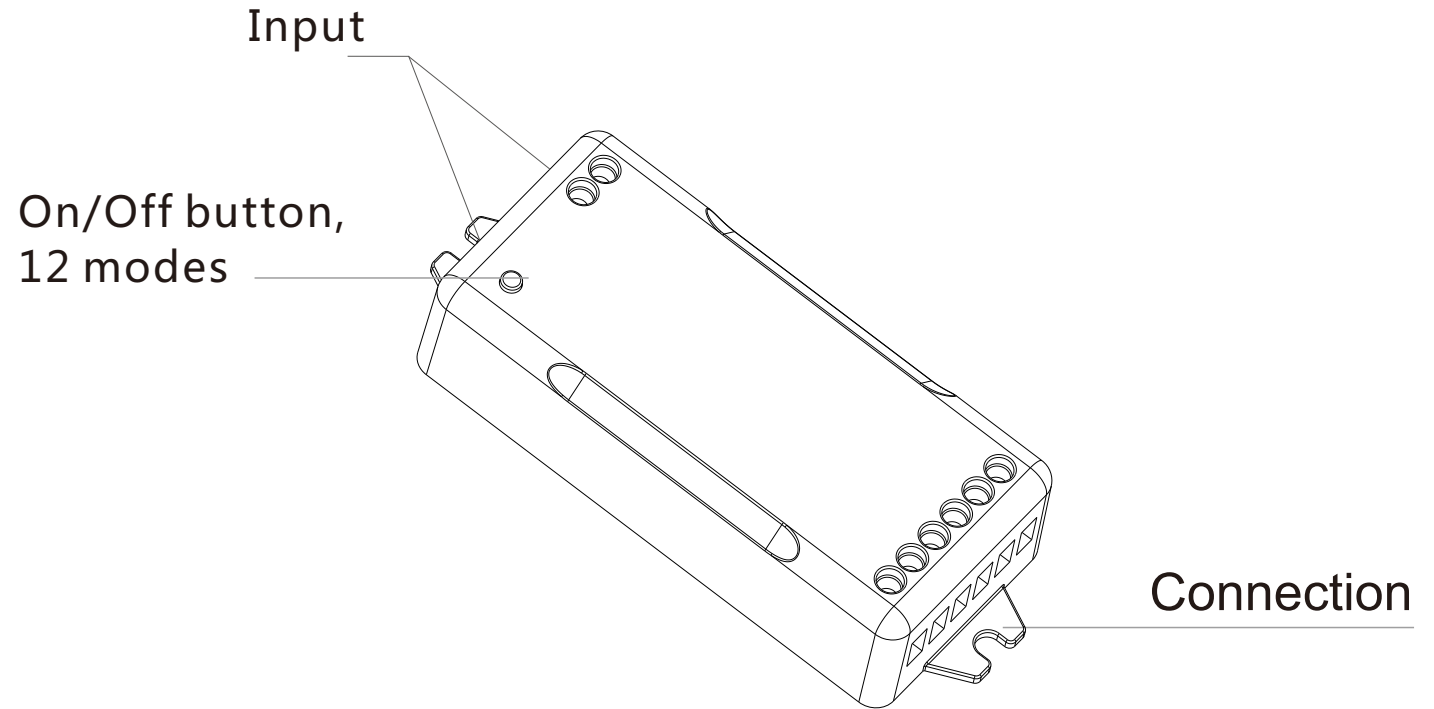
Input Voltage:	12V~24Vdc
Power:	Max.96W
Current:	2A/CH Max.4A
Wireless 2.4G	
G.W.:	25g
Dimension:	58x23x10mm
Working temperature:	-20°C~45°C



HIGH Controller

Parameters


Input Voltage:	12V~24Vdc
Power:	Max.240W
Current:	4A/CH Max.10A
Wireless 2.4G	
G.W.:	50g
Dimension:	85.5x39x21.3mm
Working temperature:	-20°C~45°C





1. The input voltage of the controller is based on the LED strips voltage. It can be connected to the controller with a DC head, or it can be connected with a wiring hole when the power is connected to the controller and the current less than 3A. (1 2)
Only the wiring hole can be used when the current is more than 3A. (1), Maximum current output 10A
2. Tighten the fixing screws to avoid poor contact.



For more information about our smart low voltage LED series or any other CL Lighting product, please get in touch:

 +86-755-27643784 | 36959611

 +86-755-27655433

 cl@banqcn.com

 www.cl-light.com

SHENZHEN CL LIGHTING TECHNOLOGY CO.,LTD

Address: Building A&B, 3th industrial Zone, Shiyan Town, Bao'an District, ShenZhen, China