

www.cl-light.com

SHENZHEN CL LIGHTING TECHNOLOGY CO.,LTD



WIFI LED CONTROLLER

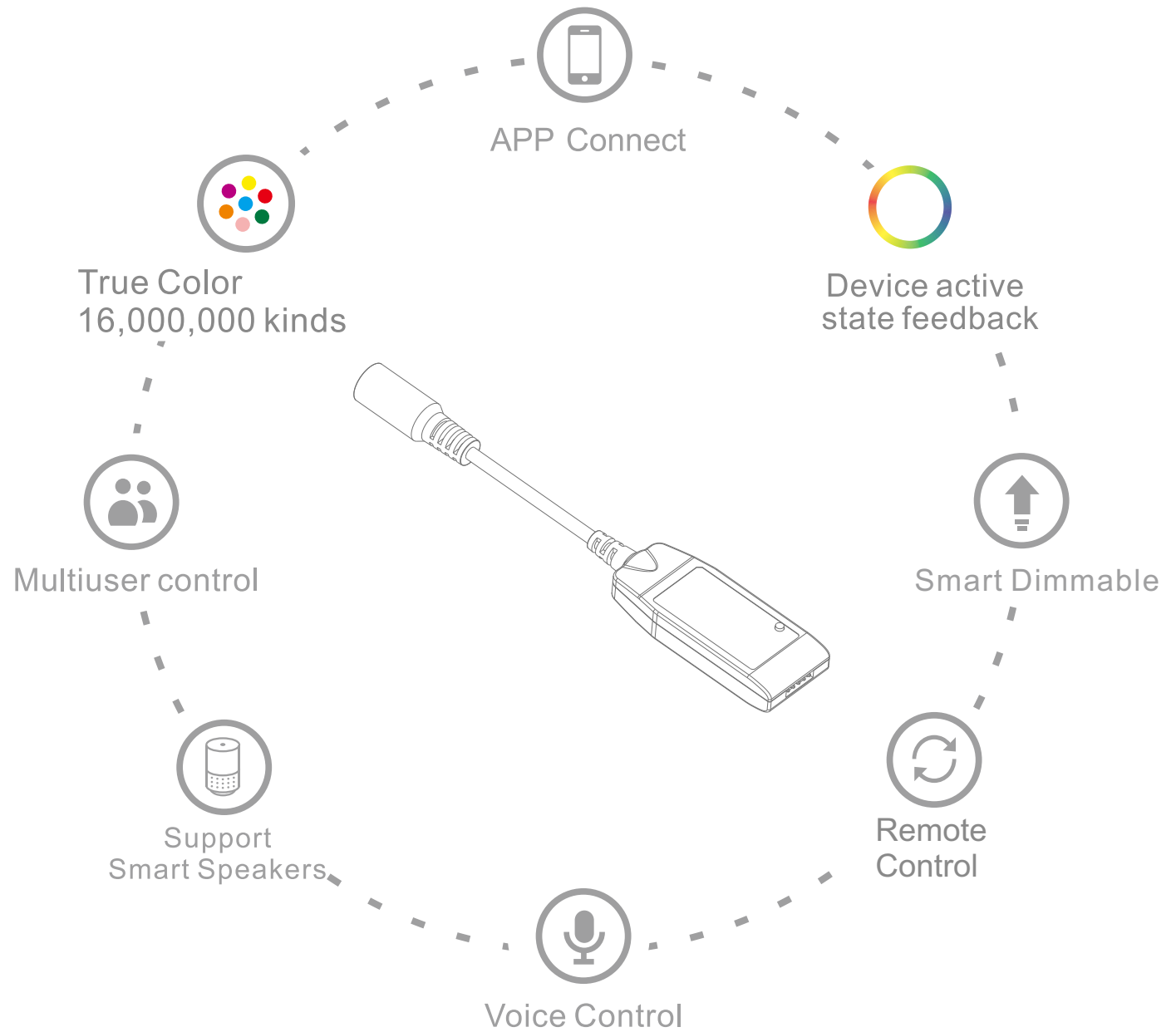
Smart Phone APP Controlled



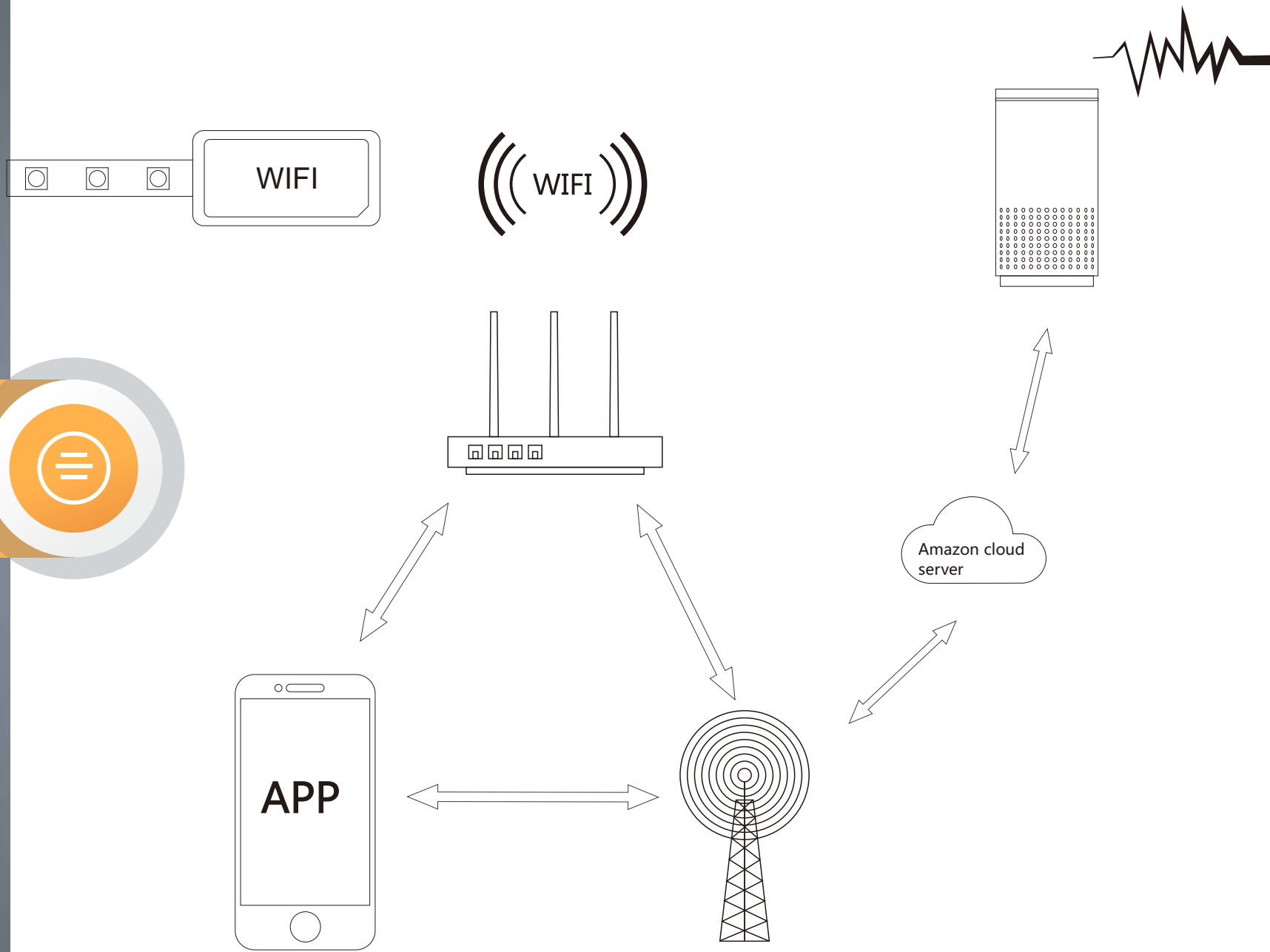


Product Feature

8



Working Diagram



APP
Control



APP WIFI Control



Voice Control



Amazon Echo Voice Control



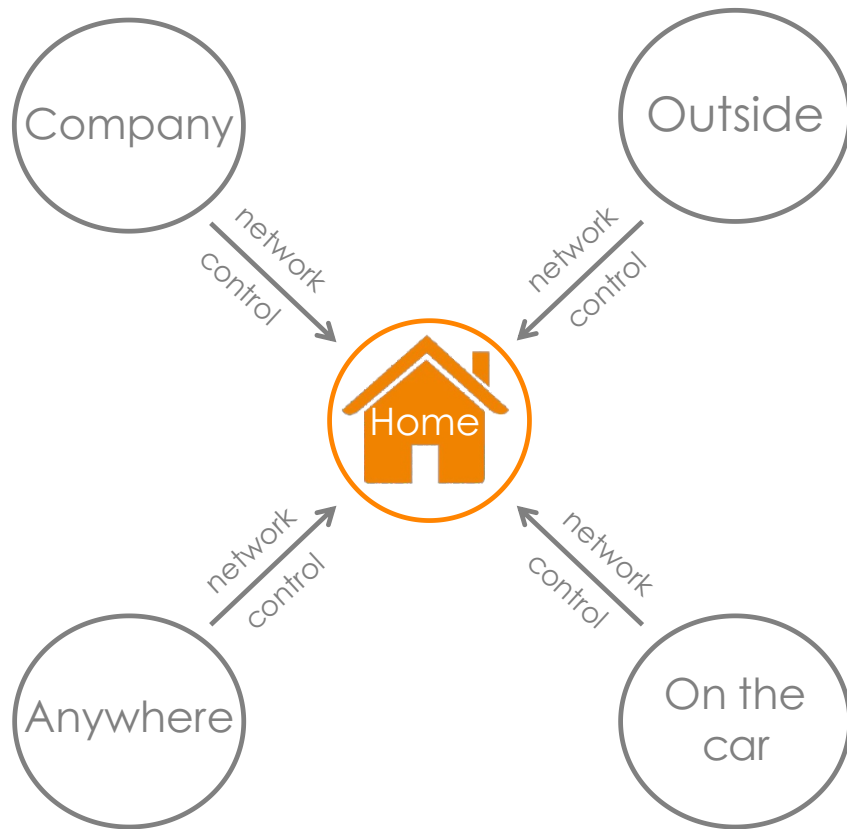
Smart voice control, support English language



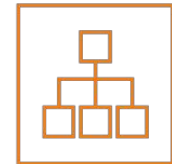
Amazon Echo

Tmall Genie

Remote Control

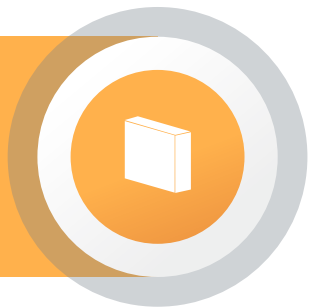


Long Range Control with Gateway



Connecting Internet via APP,
controlled regardless of distance,
time, location

Suit



Application



Hotel ▶



office ▶



◀ Home

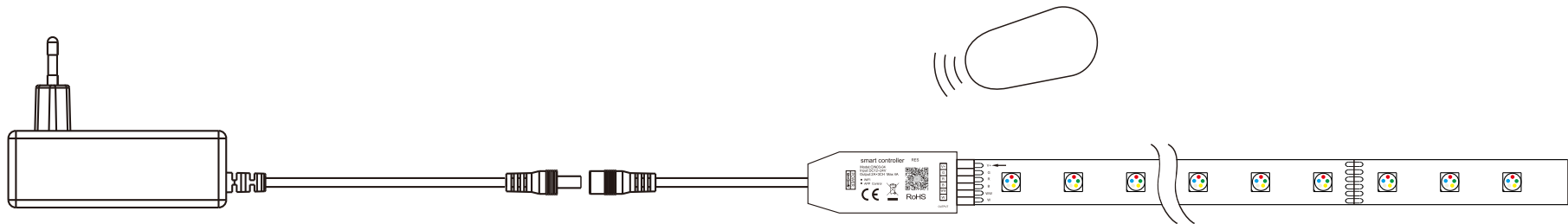
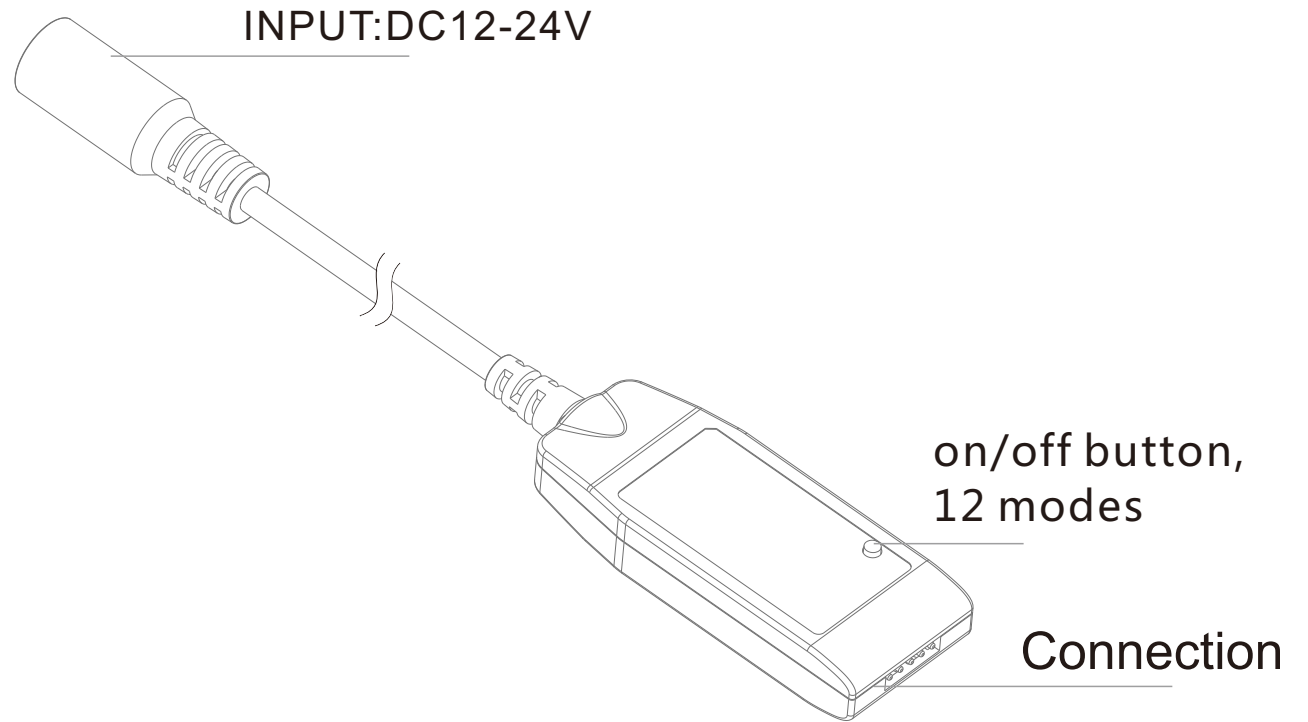
Apartment ▶



MINI Controller

Parameters

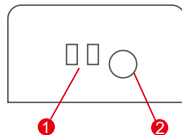
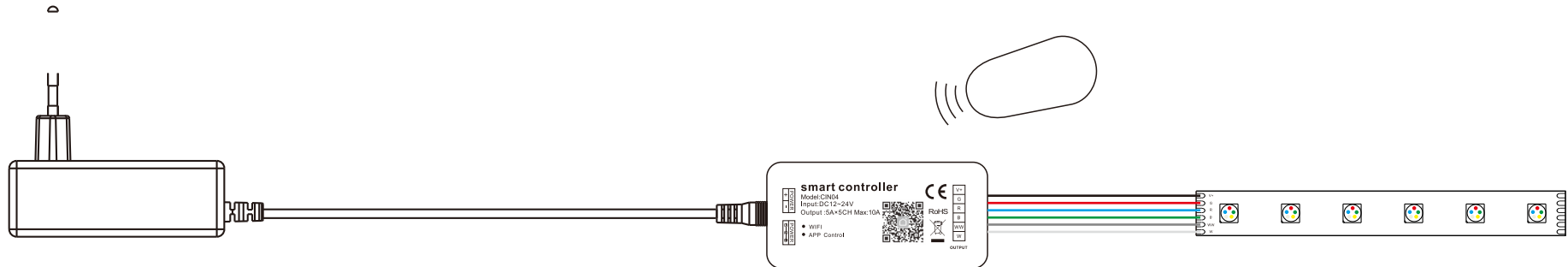
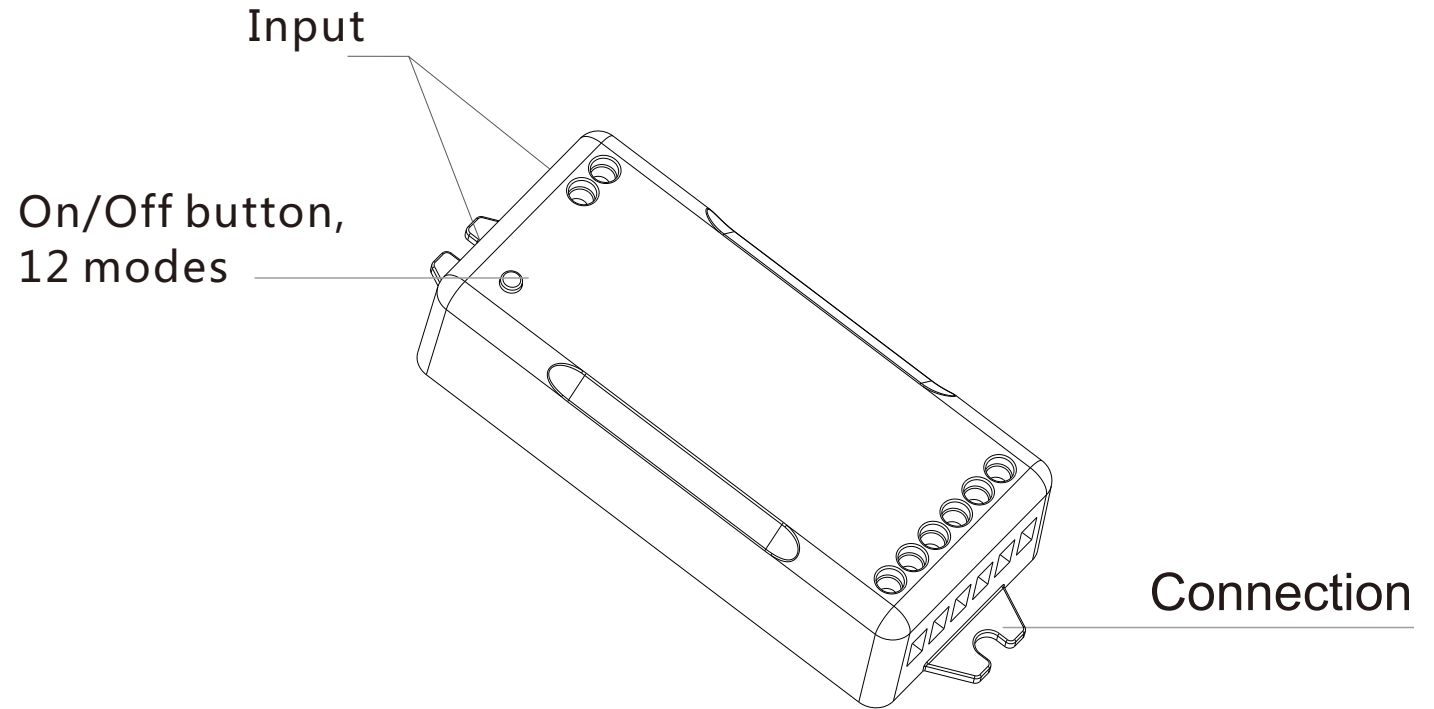
Input Voltage:	12V~24Vdc
Power:	Max.96W
Current:	2A/CH Max.4A
WIFI	
G.W.:	25g
Dimension:	58x23x10mm
Working temperature:	-20°C~45°C



HIGH Controller

Parameters

Input Voltage:	12V~24Vdc
Power:	Max.240W
Current:	4A/CH Max.10A
WIFI	
G.W.:	50g
Dimension:	85.5x39x21.3mm
Working temperature:	-20°C~45°C





1. The input voltage of the controller is based on the LED strips voltage. It can be connected to the controller with a DC head, or it can be connected with a wiring hole when the power is connected to the controller and the current less than 3A.(1 2)
Only the wiring hole can be used when the current is more than 3A.(1), Maximum current output 10A
2. Tighten the fixing screws to avoid poor contact.



For more information about our smart low voltage LED series or any other CL Lighting product, please get in touch:

 +86-755-27643784 | 36959611

 +86-755-27655433

 cl@banqcn.com

 www.cl-light.com

SHENZHEN CL LIGHTING TECHNOLOGY CO.,LTD

Address: Building A&B, 3th industrial Zone, Shiyan Town, Bao'an District, ShenZhen, China