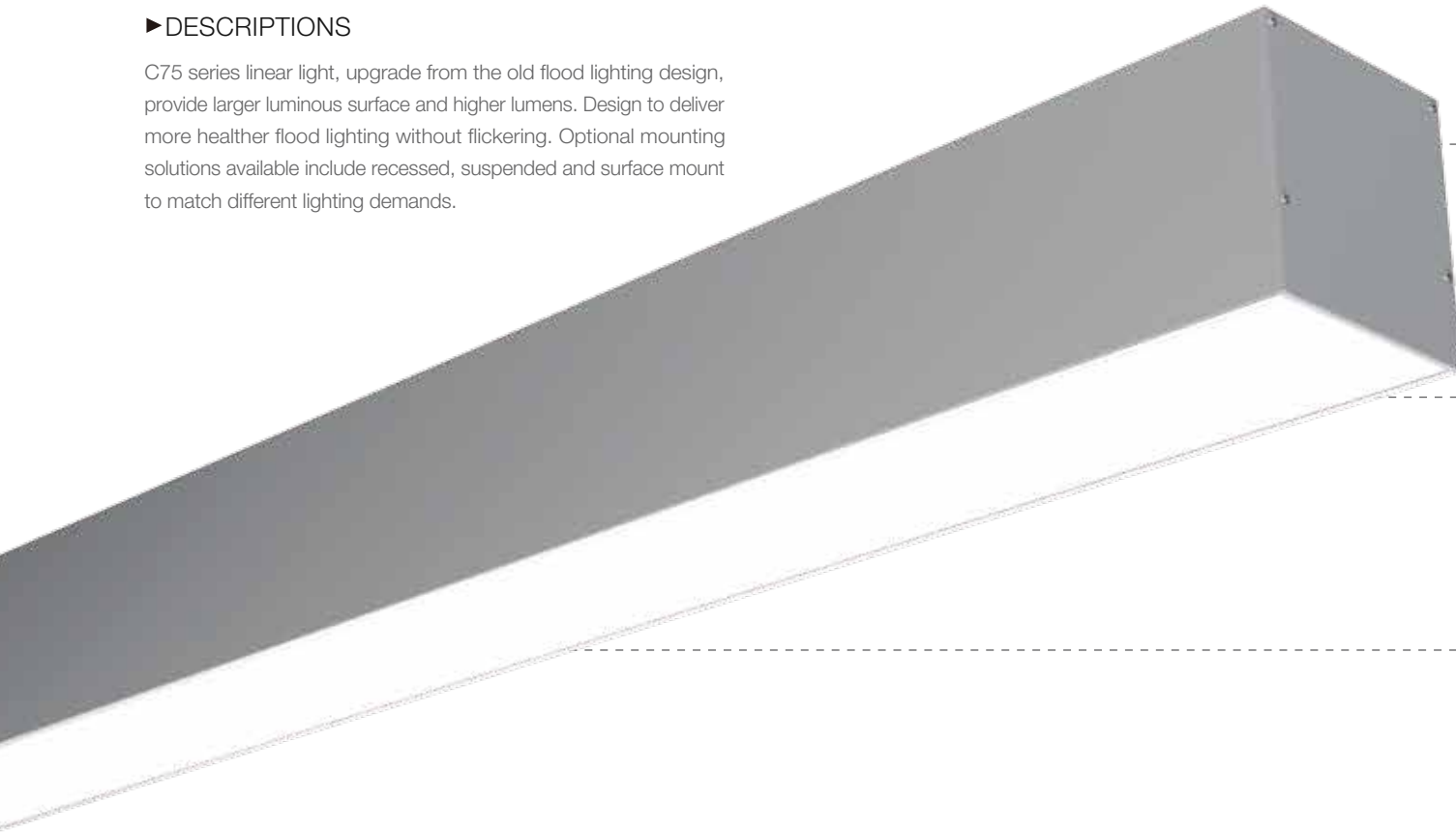


# C75 SERIES

CL LIGHTING

## ► DESCRIPTIONS

C75 series linear light, upgrade from the old flood lighting design, provide larger luminous surface and higher lumens. Design to deliver more healthier flood lighting without flickering. Optional mounting solutions available include recessed, suspended and surface mount to match different lighting demands.



### PC COVER

Adopt top quality material import from germany and japan, no hazardous substance, special optical design to make light more nature and no glare

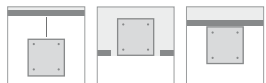
### ALUMINUM

Light body adopt aviation grade aluminum, light and durable, environment-friendly, fastness, surface covered with membranae, avoid scratch, oxidation resistance, no deformation

### SMD2835 LED

The led light source have passed lm80 test, long lasting lifespan, consistence color and brightness. patent light recipe, can better restore the color of the object





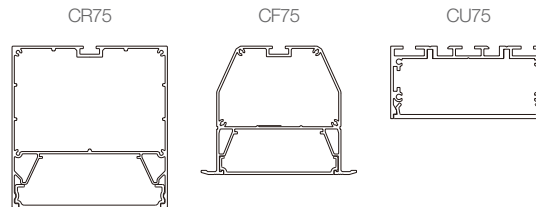
### PERFORMANCE AT

SERIES	LENGTH	COMBINATION	LED CCT	VOLTAGE	BEAM ANGLE	LAMP BODY COLOR	DIMMING
C75	1m/1.2m/1.5m Customizable	CR75	3000K	100-277V	CR75 110°	Silver	DALI
		CF75	4000K	Universal 220V - 240V	CF75 110°		
		CU75	6000K		CU75 110°		

### LIGHT LOSS FACTORS

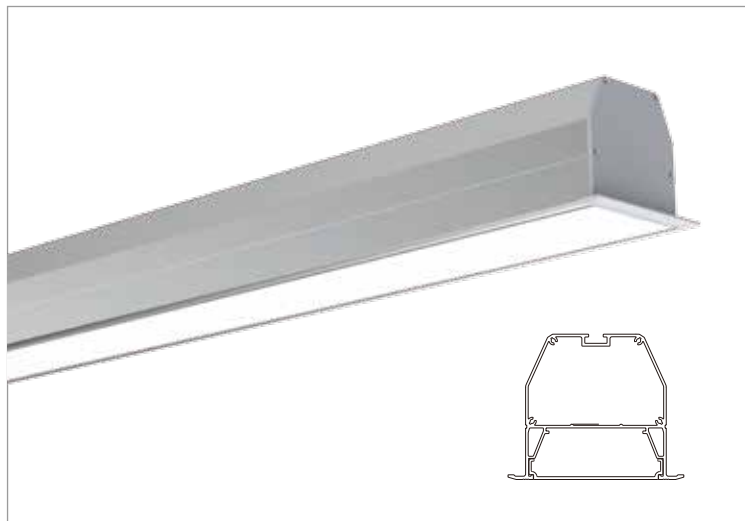
	BRAND NAME	LUMINOUS EFFICIENCY	CRI	USING THE ENVIRONMENT	WARRANTY PERIOD
BASELINE	CL LIGHTING	• Plane light 80lm/w	>Ra 80	C75 series LED linear lights compatible with the state of the art control technology to light up a healthier environment for home, office, and commercial area like clothes store, museum, gallery and shopping mall etc.	3 years

### VARIOUS COMBINATIONS



C75 series LED linear lights compatible with the state of the art control technology to light up a healthier environment for home, office, and commercial area like clothes store, museum, gallery and shopping mall etc.

# CF75



Luminous Flux : 4800LM  
 Power : 60W  
 CCT : 3000K, 4000K,6000K  
 CRI > 80  
 Beam Angle :110°  
 Input Voltage : 200-240V AC  
 Total Harmonic Distortion : <20%  
 Life Span : >50000Hrs(Ta=30°C@L70)  
 Operating Temperature : -30~+45°C  
 Storage Temperature : -40~+70°C  
 Junction Temperature(Tj) : <70°C(Ta=30°C)

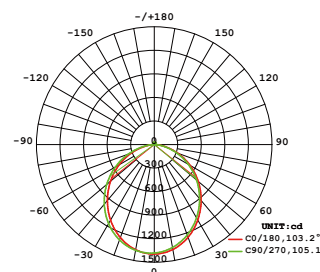
## CF75 Product Range

Model	CF75-10-SV	CF75-12-SV	CF75-15SV
Luminous Flux	3200LM	4000LM	4800LM
Power	40W	50W	60W
Luminous Efficacy	80lm/W	80lm/W	80lm/W
CCT	3000K, 4000K, 6000K		
CRI	>80		
Beam Angle	110°		
Size	W:75*H:62*L:1000mm	W:75*H:62*L:1200mm	W:75*H:62*L:1500mm
Input Voltage	200-240V		
IP Rating	IP40		
LED Driver	X-power		
Certifications	CE EMC		

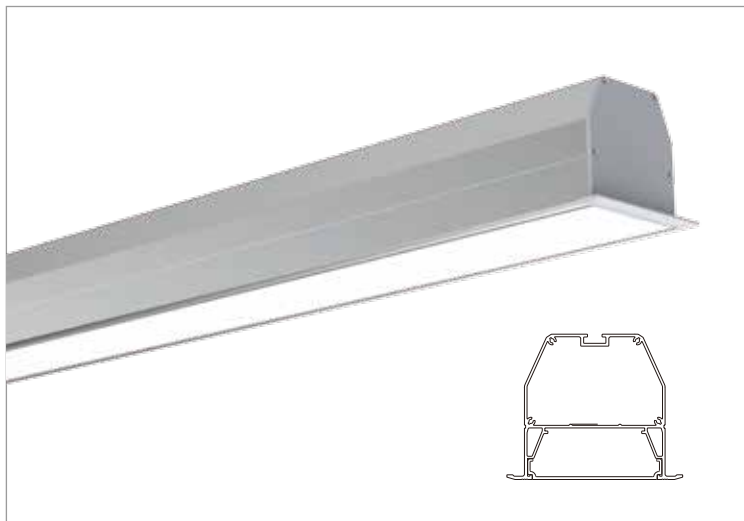
## Control

DALI

## Photometric Diagrams



# CF75



Luminous Flux : 4800LM  
 Power : 60W  
 CCT : 3000K, 4000K,6000K  
 CRI > 80  
 Beam Angle :110°  
 Input Voltage : 200-277V AC  
 Total Harmonic Distortion : <20%  
 Life Span : >50000Hrs(Ta=30°C@L70)  
 Operating Temperature : -30~+45°C  
 Storage Temperature : -40~+70°C  
 Junction Temperature(Tj) : <70°C(Ta=30°C)

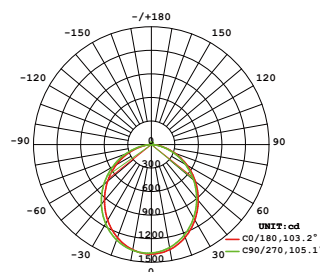
## CF75 Product Range

Model	CR75-10-WW	CR75-12-WW	CR75-15-WW
Luminous Flux	3200LM	4000LM	4800LM
Power	40W	50W	60W
Luminous Efficacy	80lm/W	80lm/W	80lm/W
CCT	3000K, 4000K, 6000K		
CRI	>80		
Beam Angle	110°		
Size	W:75*H:62*L:1000mm	W:75*H:62*L:1200mm	W:75*H:62*L:1500mm
Input Voltage	100-277V		
IP Rating	IP40		
LED Driver	X-power		
Certifications	CE EMC		

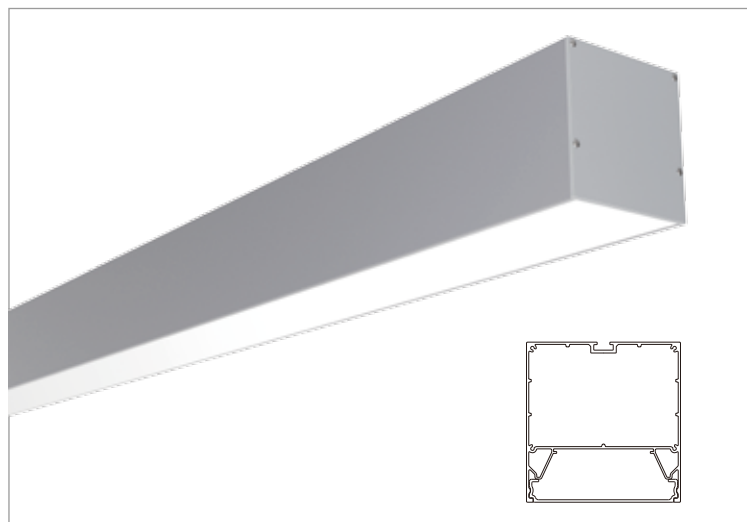
## Control

DALI

## Photometric Diagrams



# CR75



System Efficacy : 4800LM  
 Luminous Flux : 60W  
 CCT : 3000K, 4000K,6000K  
 CRI > 80  
 Beam Angle :110°  
 Input Voltage : 200-240V AC  
 Total Harmonic Distortion : <20%  
 Life Span : >50000Hrs(Ta=30°C@L70)  
 Operating Temperature : -30~+45°C  
 Storage Temperature : -40~+70°C  
 Junction Temperature(Tj) : <70°C(Ta=30°C)

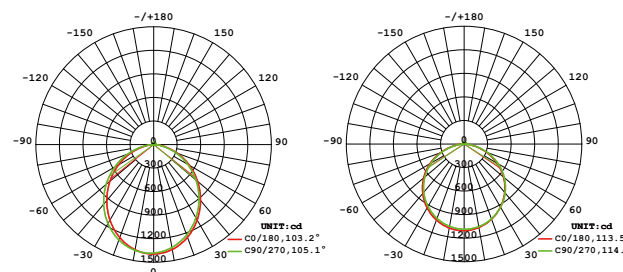
## CR75 Product Range

Model	CR75-10-SV	CR75-12-SV	CR75-15-SV
Luminous Flux	3200LM	4000LM	4800LM
Power	40W	50W	60W
Luminous Efficacy	80lm/W	80lm/W	80lm/W
CCT	3000K, 4000K, 6000K		
CRI	>80		
Beam Angle	110°		
Size	W:75*H:78*L:1000mm	W:75*H:78*L:1200mm	W:75*H:78*L:1500mm
Input Voltage	200-240V		
IP Rating	IP40		
LED Driver	X-power		
Certifications	CE EMC		

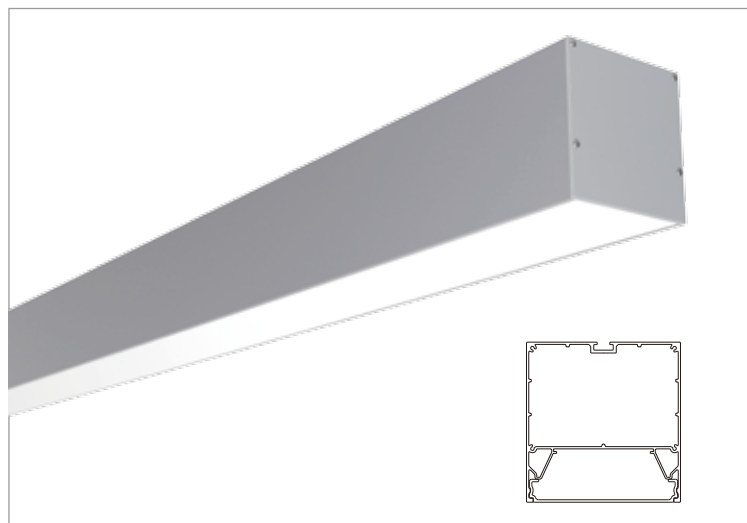
## Control

DALI

## Photometric Diagrams



# CR75



System Efficacy : 4800LM  
 Luminous Flux : 60W  
 CCT : 3000K, 4000K,6000K  
 CRI > 80  
 Beam Angle :110°  
 Input Voltage : 100-277V AC  
 Total Harmonic Distortion : <20%  
 Life Span : >50000Hrs(Ta=30°C@L70)  
 Operating Temperature : -30~+45°C  
 Storage Temperature : -40~+70°C  
 Junction Temperature(Tj) : <70°C(Ta=30°C)

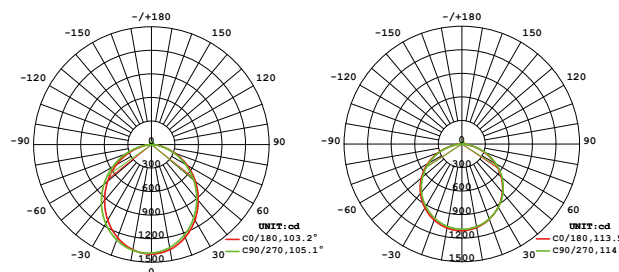
## CR75 Product Range

Model	CR75-10-WV	CR75-12-WV	CR75-15-WV
Luminous Flux	3200LM	4000LM	4800LM
Power	40W	50W	60W
Luminous Efficacy	80lm/W	80lm/W	80lm/W
CCT	3000K, 4000K, 6000K		
CRI	>80		
Beam Angle	110°		
Size	W:75*H:78*L:1000mm	W:75*H:78*L:1200mm	W:75*H:78*L:1500mm
Input Voltage	100-277V		
IP Rating	IP40		
LED Driver	X-power		
Certifications	CE EMC		

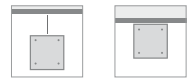
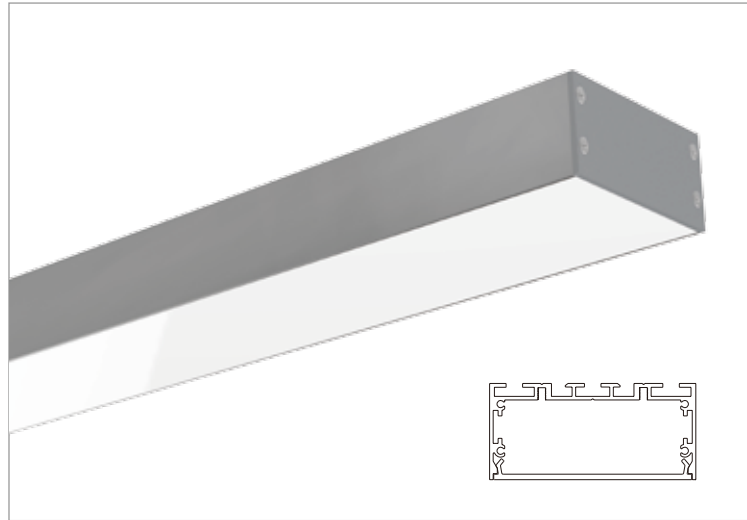
## Control

DALI

## Photometric Diagrams



# CU75



Luminous Flux : 4800LM  
 Power : 60W  
 CCT : 3000K, 4000K,6000K  
 CRI > 80  
 Beam Angle :110°  
 Input Voltage : 200-240V AC  
 Total Harmonic Distortion : <20%  
 Life Span : >50000Hrs(Ta=30°C@L70)  
 Operating Temperature : -30~+45°C  
 Storage Temperature : -40~+70°C  
 Junction Temperature(Tj) : <70°C(Ta=30°C)

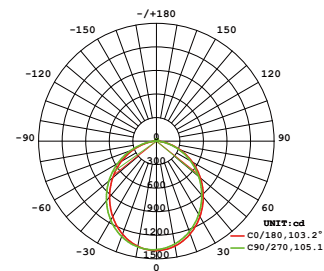
## CU75 Product Range

Model	CU75-10-SV	CU75-12-SV	CU75-15-SV
Luminous Flux	3200LM	4000LM	4800LM
Power	40W	50W	60W
Luminous Efficacy	80lm/W	80lm/W	80lm/W
CCT	3000K, 4000K, 6000K		
CRI	>80		
Beam Angle	110°		
Size	W:75*H:35*L:1000mm	W:75*H:35*L:1200mm	W:75*H:35*L:1500mm
Input Voltage	200-240V		
IP Rating	IP40		
LED Driver	X-power		
Certifications	CE EMC		

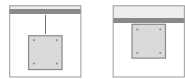
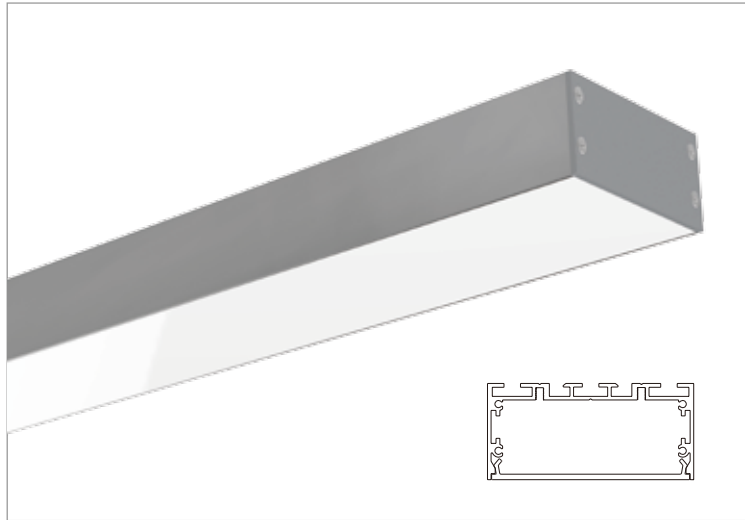
## Control



## Photometric Diagrams



# CU75



Luminous Flux : 4800LM  
 Power : 60W  
 CCT : 3000K, 4000K,6000K  
 CRI > 80  
 Beam Angle :110°  
 Input Voltage : 100-277V AC  
 Total Harmonic Distortion : <20%  
 Life Span : >50000Hrs(Ta=30°C@L70)  
 Operating Temperature : -30~+45°C  
 Storage Temperature : -40~+70°C  
 Junction Temperature(Tj) : <70°C(Ta=30°C)

## CU75 Product Range

Model	CU75-10-WV	CU75-12-WV	CU75-15-WV
Luminous Flux	3200LM	4000LM	4800LM
Power	40W	50W	60W
Luminous Efficacy	80lm/W	80lm/W	80lm/W
CCT	3000K, 4000K, 6000K		
CRI	>80		
Beam Angle	110°		
Size	W:75*H:35*L:1000mm	W:75*H:35*L:1200mm	W:75*H:35*L:1500mm
Input Voltage	100-277V		
IP Rating	IP40		
LED Driver	X-power		
Certifications	CE EMC		

## Control



## Photometric Diagrams

