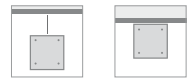
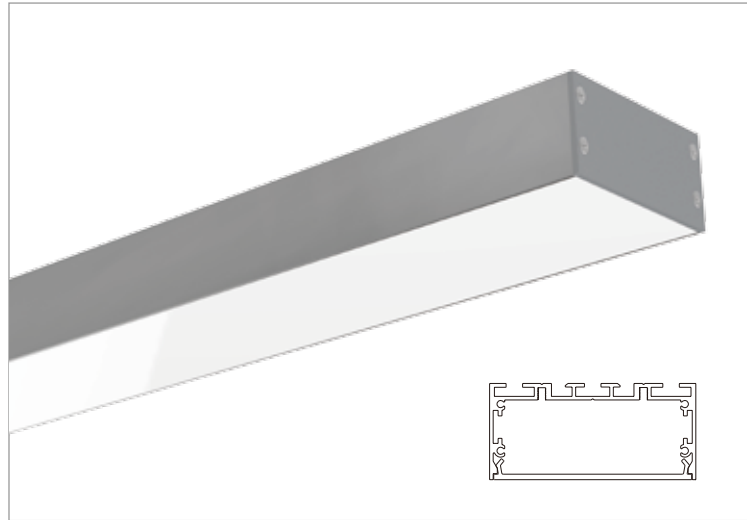


CU75



Luminous Flux : 4800LM
 Power : 60W
 CCT : 3000K, 4000K,6000K
 CRI > 80
 Beam Angle :110°
 Input Voltage : 200-240V AC
 Total Harmonic Distortion : <20%
 Life Span : >50000Hrs(Ta=30°C@L70)
 Operating Temperature : -30~+45°C
 Storage Temperature : -40~+70°C
 Junction Temperature(Tj) : <70°C(Ta=30°C)

CU75 Product Range

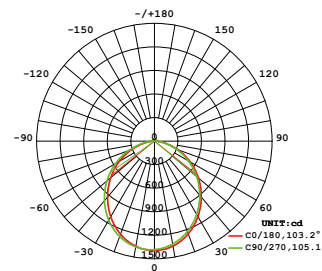
Model	CU75-10-SV	CU75-12-SV	CU75-15-SV
Luminous Flux	3200LM	4000LM	4800LM
Power	40W	50W	60W
Luminous Efficacy	80lm/W	80lm/W	80lm/W
CCT	3000K, 4000K, 6000K		
CRI	>80		
Beam Angle	110°		
Size	W:75*H:35*L:1000mm	W:75*H:35*L:1200mm	W:75*H:35*L:1500mm
Input Voltage	200-240V		
IP Rating	IP40		
LED Driver	X-power		
Certifications	CE EMC		

Control

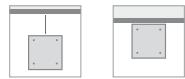
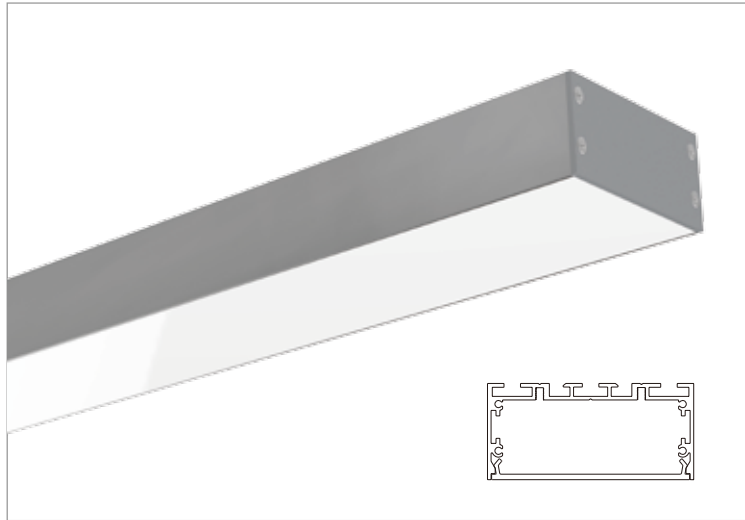
DALI



Photometric Diagrams



CU75



Luminous Flux : 4800LM
 Power : 60W
 CCT : 3000K, 4000K,6000K
 CRI > 80
 Beam Angle :110°
 Input Voltage : 100-277V AC
 Total Harmonic Distortion : <20%
 Life Span : >50000Hrs(Ta=30°C@L70)
 Operating Temperature : -30~+45°C
 Storage Temperature : -40~+70°C
 Junction Temperature(Tj) : <70°C(Ta=30°C)

CU75 Product Range

Model	CU75-10-WV	CU75-12-WV	CU75-15-WV
Luminous Flux	3200LM	4000LM	4800LM
Power	40W	50W	60W
Luminous Efficacy	80lm/W	80lm/W	80lm/W
CCT	3000K, 4000K, 6000K		
CRI	>80		
Beam Angle	110°		
Size	W:75*H:35*L:1000mm	W:75*H:35*L:1200mm	W:75*H:35*L:1500mm
Input Voltage	100-277V		
IP Rating	IP40		
LED Driver	X-power		
Certifications	CE EMC		

Control



Photometric Diagrams

