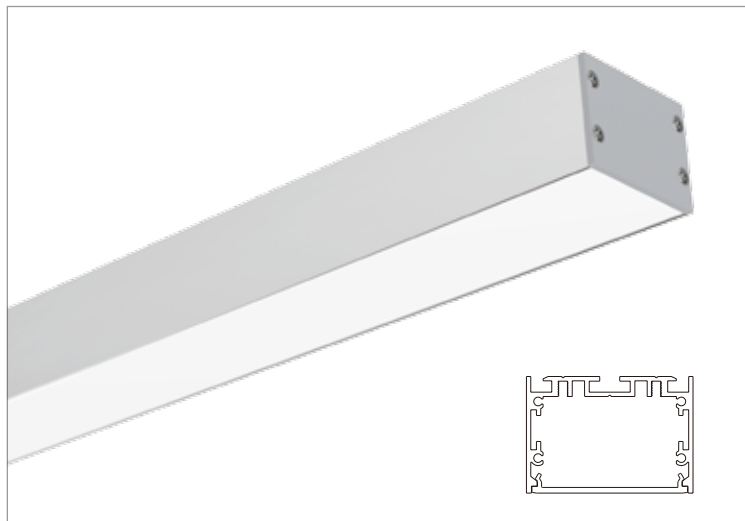


# CU50



## CU50 Product Range

Model	CU50-10-WV	CU50-12-WV	CU50-15-WV
Luminous Flux	2400LM	3200LM	4000LM
Power	30W	40W	50W
Luminous Efficacy	80lm/W	80lm/W	80lm/W
CCT	3000K, 4000K, 6000K		
CRI	>80		
Beam Angle	100°		
Size	W:50*H:35*L:1000mm	W:50*H:35*L:1200mm	W:50*H:35*L:1500mm
Input Voltage	100-277V		
IP Rating	IP40		
LED Driver	X-power		
Certifications	CE EMC		



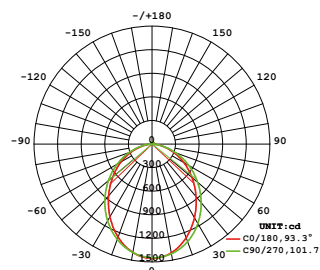
Luminous Flux : 4000LM  
 Powe : 50W  
 CCT : 3000K, 4000K,6000K  
 CRI > 80  
 Beam Angle :100°  
 Input Voltage : 100-277V AC  
 Total Harmonic Distortion : <20%  
 Life Span : >50000Hrs(Ta=30°C@L70)  
 Operating Temperature : -30~+45°C  
 Storage Temperature : -40~+70°C  
 Junction Temperature(Tj) : <70°C(Ta=30°C)

## Control

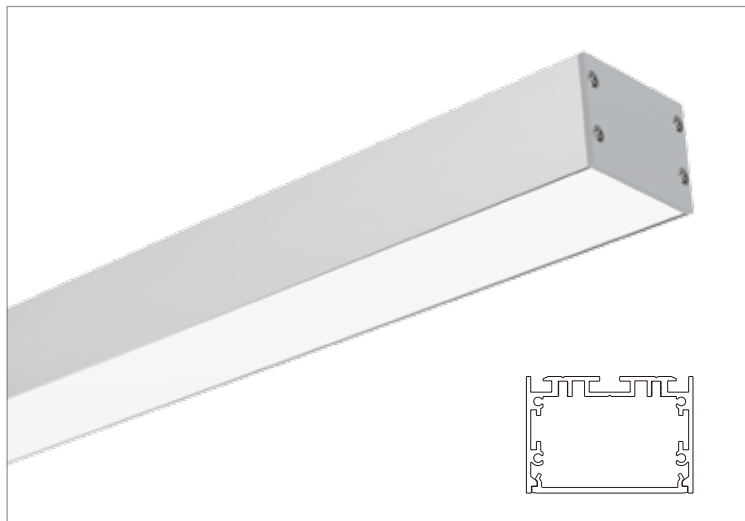
DALI



## Photometric Diagrams



# CU50



Luminous Flux : 4000LM  
 Powe : 50W  
 CCT : 3000K, 4000K,6000K  
 CRI > 80  
 Beam Angle :100°  
 Input Voltage : 200-240V AC  
 Total Harmonic Distortion : <20%  
 Life Span : >50000Hrs(Ta=30°C@L70)  
 Operating Temperature : -30~+45°C  
 Storage Temperature : -40~+70°C  
 Junction Temperature(Tj) : <70°C(Ta=30°C)

## CU50 Product Range

Model	CU50-10-SV	CU50-12-SV	CU50-15-SV
Luminous Flux	2400LM	3200LM	4000LM
Power	30W	40W	50W
Luminous Efficacy	80lm/W	80lm/W	80lm/W
CCT	3000K, 4000K, 6000K		
CRI	>80		
Beam Angle	100°		
Size	W:50*H:35*L:1000mm	W:50*H:35*L:1200mm	W:50*H:35*L:1500mm
Input Voltage	200-240V		
IP Rating	IP40		
LED Driver	X-power		
Certifications	CE EMC		

## Control

DALI



## Photometric Diagrams

