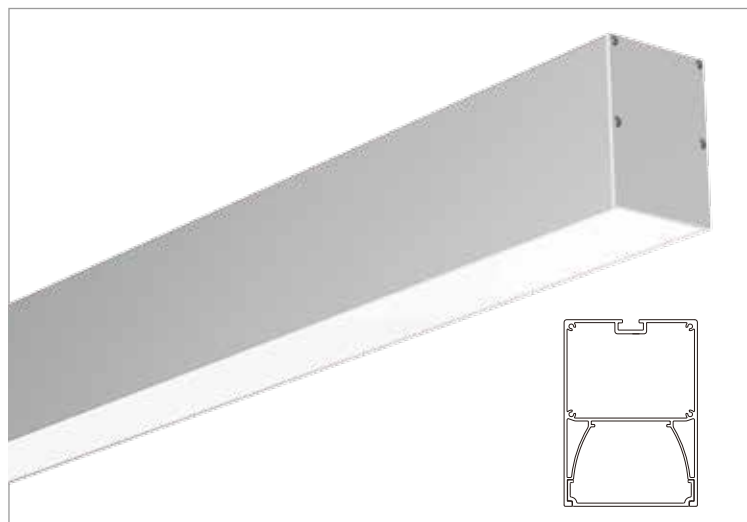


CR50



Luminous Flux : 4000LM
 Power: 50W
 CCT : 3000K, 4000K,6000K
 CRI > 80
 Beam Angle :100°
 Input Voltage : 200-240V AC
 Total Harmonic Distortion : <20%
 Life Span : >50000Hrs(Ta=30°C@L70)
 Operating Temperature : -30~+45°C
 Storage Temperature : -40~+70°C
 Junction Temperature(Tj) : <70°C(Ta=30°C)

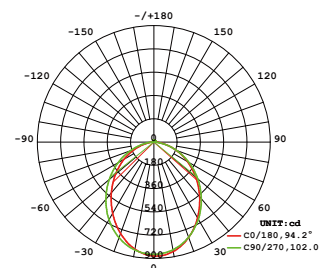
CR50 Product Range

| Model | CR50-10-SV | CR50-12-SV | CR50-15-SV |
|-------------------|---------------------|--------------------|--------------------|
| Luminous Flux | 2400LM | 3200LM | 4000LM |
| Power | 30W | 40W | 50W |
| Luminous Efficacy | 80lm/W | 80lm/W | 80lm/W |
| CCT | 3000K, 4000K, 6000K | | |
| CRI | >80 | | |
| Beam Angle | 100° | | |
| Size | W:50*H:70*L:1000mm | W:50*H:70*L:1200mm | W:50*H:70*L:1500mm |
| Input Voltage | 200-240V | | |
| IP Rating | IP40 | | |
| LED Driver | X-power | | |
| Certifications | CE EMC | | |

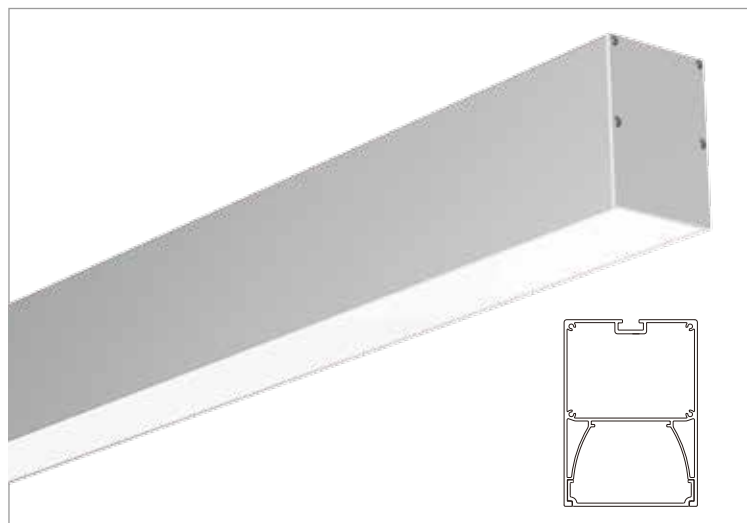
Control

DALI

Photometric Diagrams



CR50



Luminous Flux : 4000LM
 Power : 50W
 CCT : 3000K, 4000K,6000K
 CRI > 80
 Beam Angle :100°
 Input Voltage : 100-277V AC
 Total Harmonic Distortion : <20%
 Life Span : >50000Hrs(Ta=30°C@L70)
 Operating Temperature : -30~+45°C
 Storage Temperature : -40~+70°C
 Junction Temperature(Tj) : <70°C(Ta=30°C)

CR50 Product Range

| Model | CR50-10-WV | CR50-12-WV | CR50-15-WV |
|-------------------|---------------------|--------------------|--------------------|
| Luminous Flux | 2400LM | 3200LM | 4000LM |
| Power | 30W | 40W | 50W |
| Luminous Efficacy | 80lm/W | 80lm/W | 80lm/W |
| CCT | 3000K, 4000K, 6000K | | |
| CRI | >80 | | |
| Beam Angle | 100° | | |
| Size | W:50*H:70*L:1000mm | W:50*H:70*L:1200mm | W:50*H:70*L:1500mm |
| Input Voltage | 100-277V | | |
| IP Rating | IP40 | | |
| LED Driver | X-power | | |
| Certifications | CE EMC | | |

Control

DALI

Photometric Diagrams

