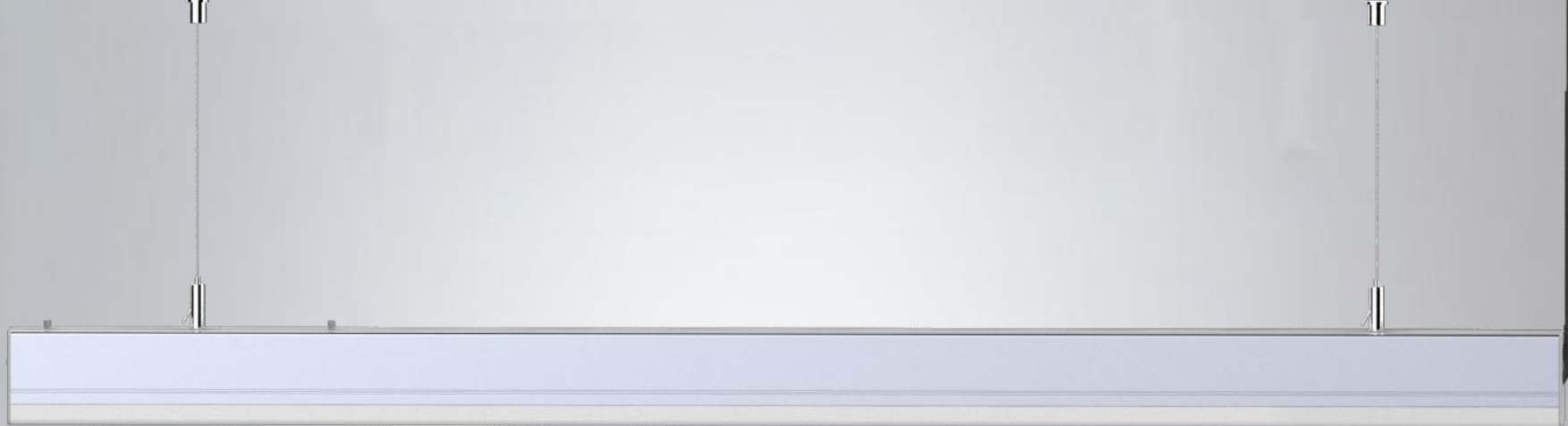




www.cl-light.com



LINEAR LIGHT SERIES

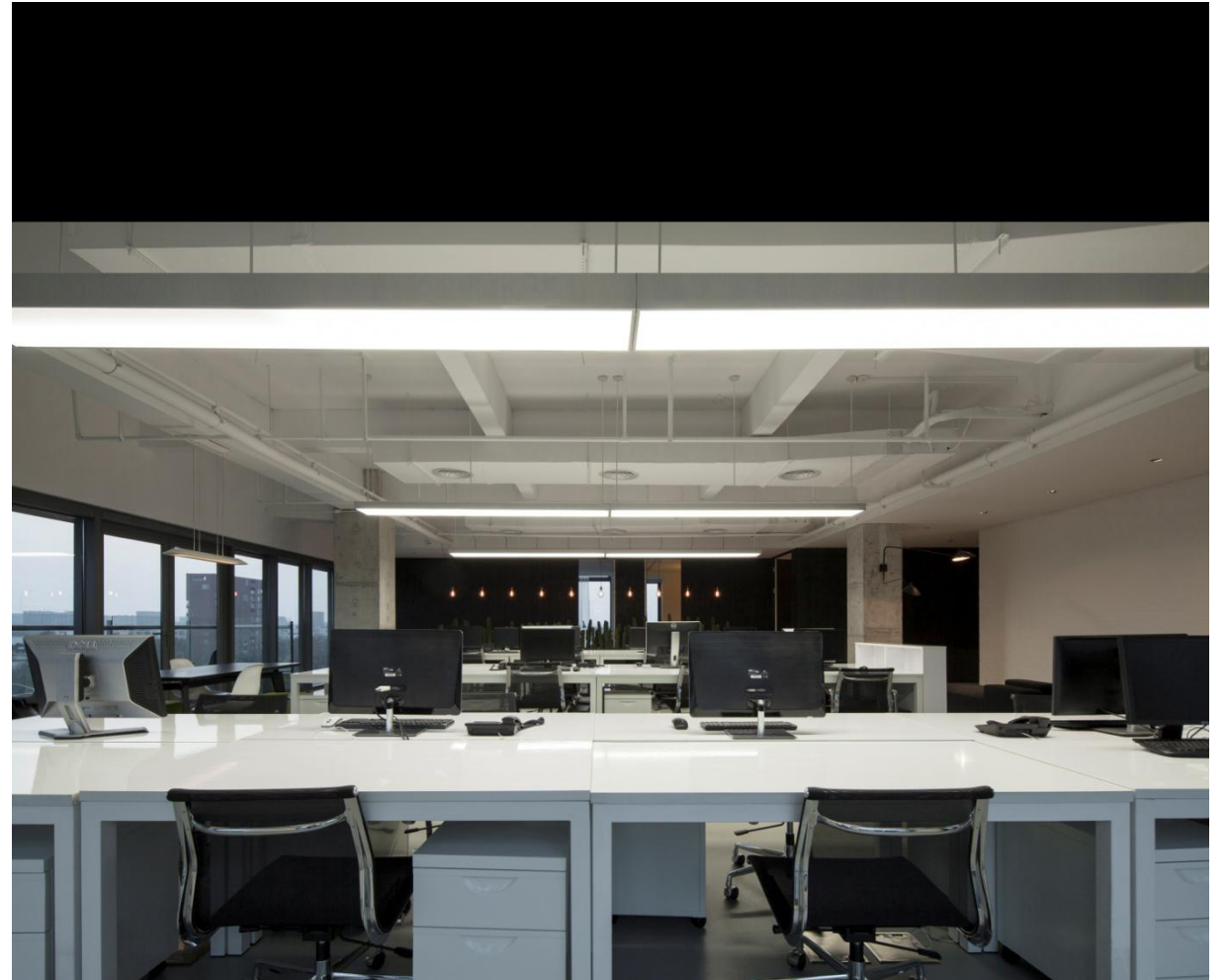
CL-5665XL100-WWW

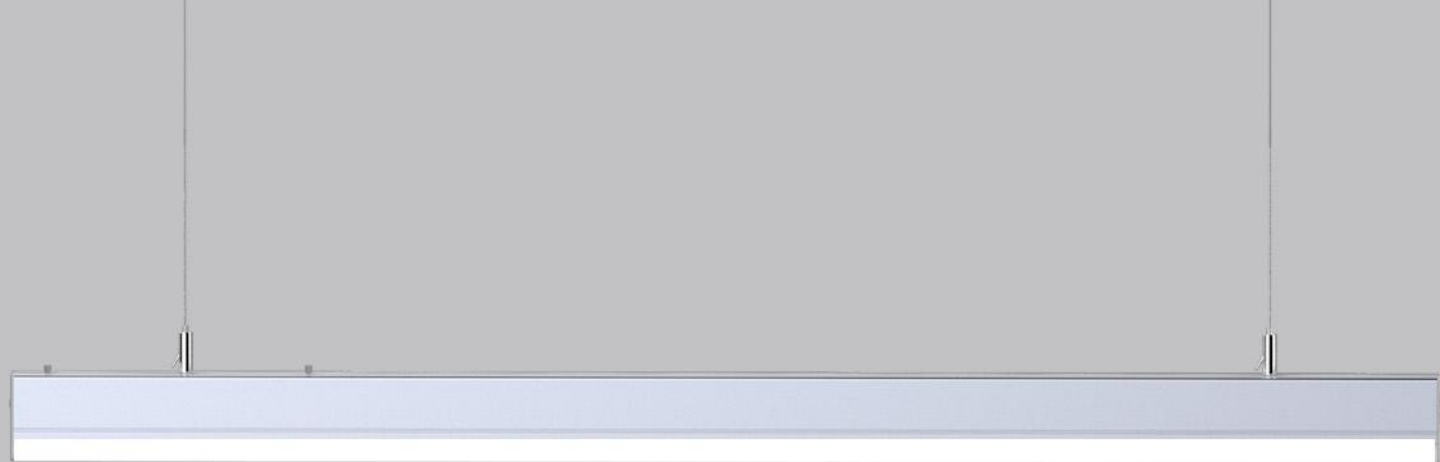


LINEAR LIGHT SERIES

▶ CL-5665XL100-WWW

Product ingenuity design, can achieve seamless gap between the lamp body and lamp body splicing, 110v can be spliced 10 meters, 220V can be spliced 15-20 meters; The new light effect design has a larger light emitting area, uniform light exit surface, no spot, and better comfort; More than 20% higher light efficiency than traditional designs; Power will not shake, good heat dissipation, easy installation; The lamp body adopts aerospace aluminum with high thermal conductivity, which has good thermal conductivity and provides guarantee for long-term operation of the lamp; Can be widely used in commercial and home lighting, such as hotels, restaurants, shopping malls.





Stylish atmosphere design

Home decoration lighting line lamp

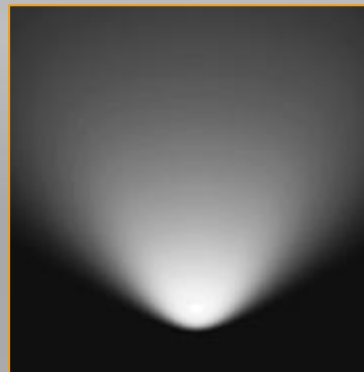


Different CCT optional

Line lights can be divided into warm white, white, and white commercial colors. Customize color temperature according to your own needs.



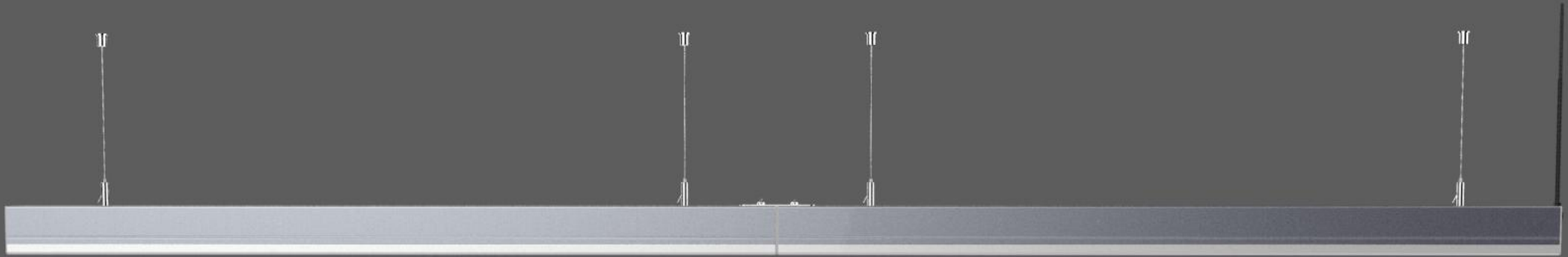
3000K



4000K



6000K



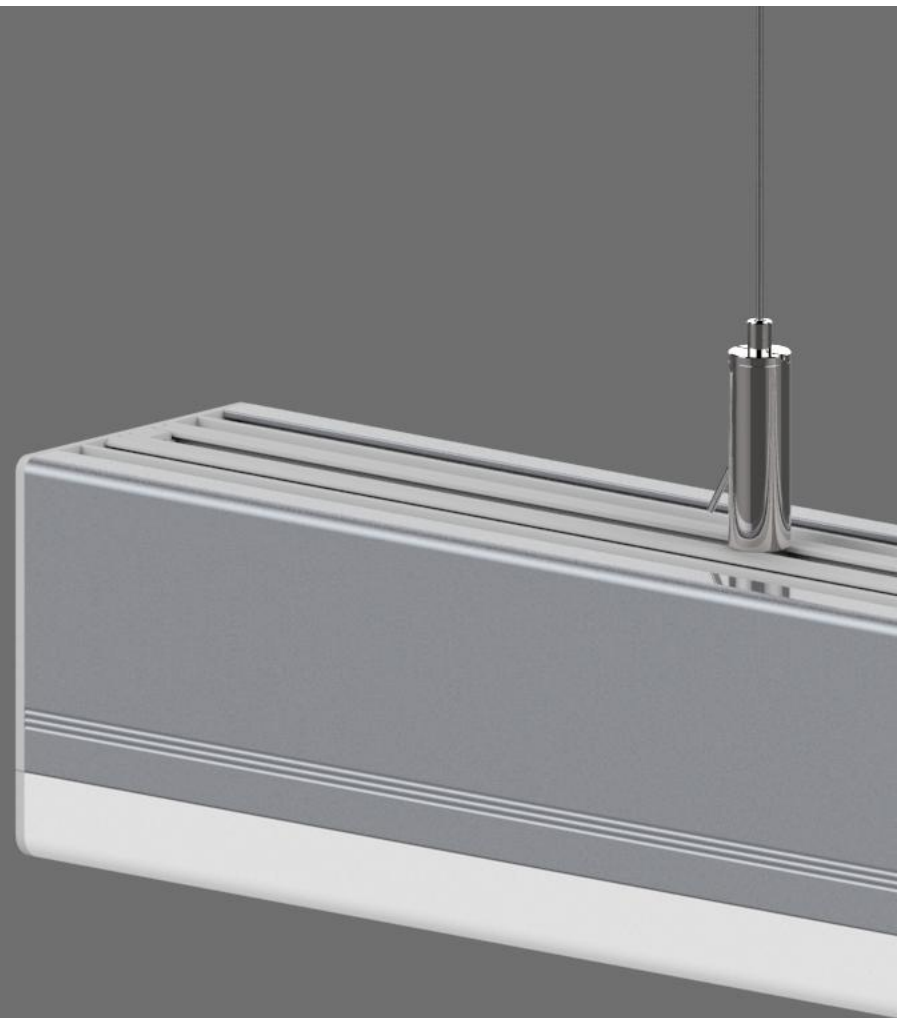
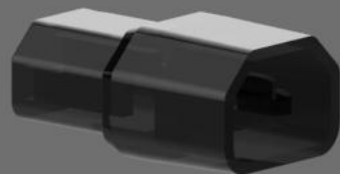
Seamless stitching

Innovative seamless design, such as a whole to achieve the optical effect.

Long life

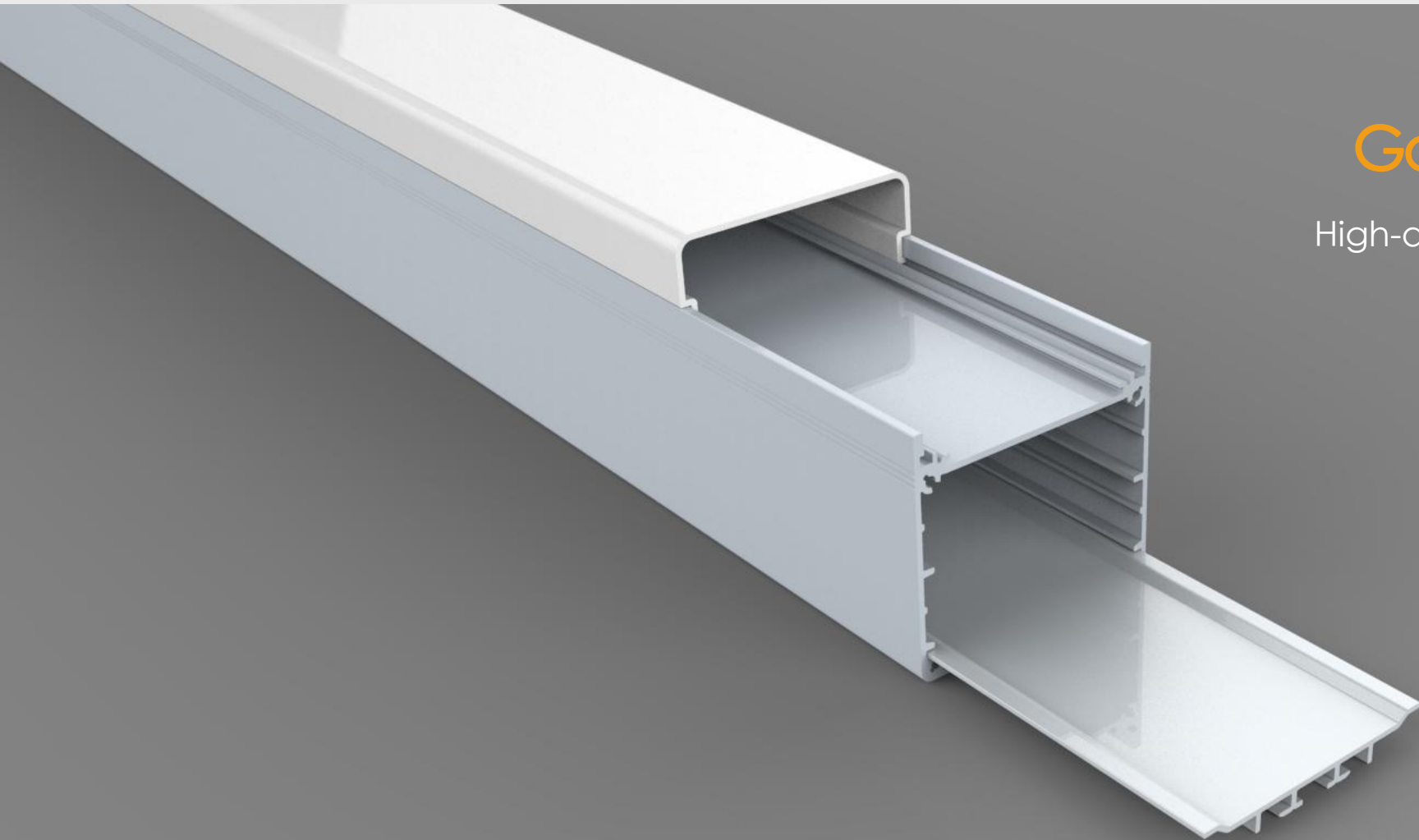
High-quality LED lamp beads, high-quality aluminum alloy, unique thermal design, ensure the product life, sustainable light up to 50000h.





Can be stitched

Independent design, can be spliced,
certified splices.

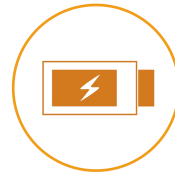


Good heat dissipation

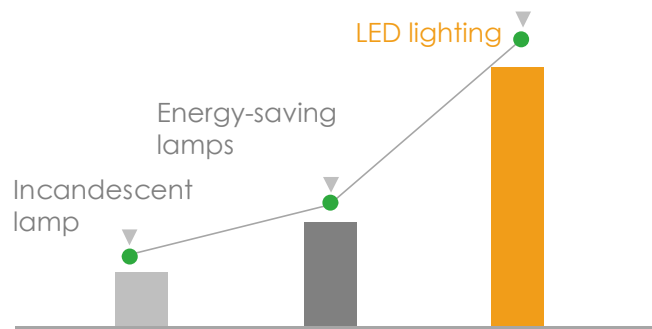
High-quality aluminum profiles are the life guarantee of the lamps.

Energy saving

Energy saving more environmentally friendly

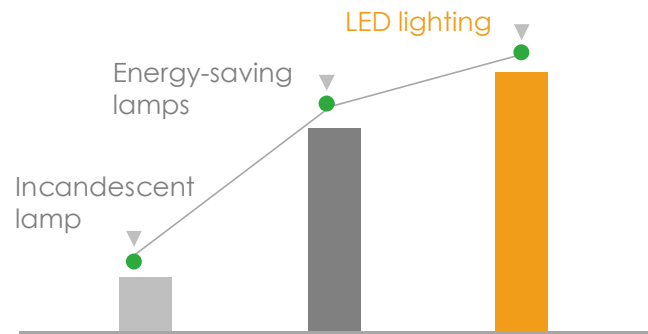


Long lifespan



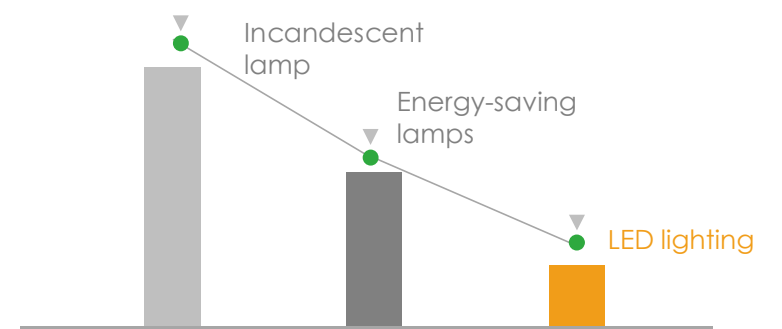
Ordinary incandescent lamp available 1000 hours, ordinary energy-saving lamps 8000 hours, LED lights is 50,000 - 100,000 hours.

Luminous efficiency



The same wattage is 2.5 times the brightness of energy-saving lamps 7 times the incandescent lamp.

Energy consumption contrast



LED lamp energy-saving white than 90%, energy saving than ordinary 70%



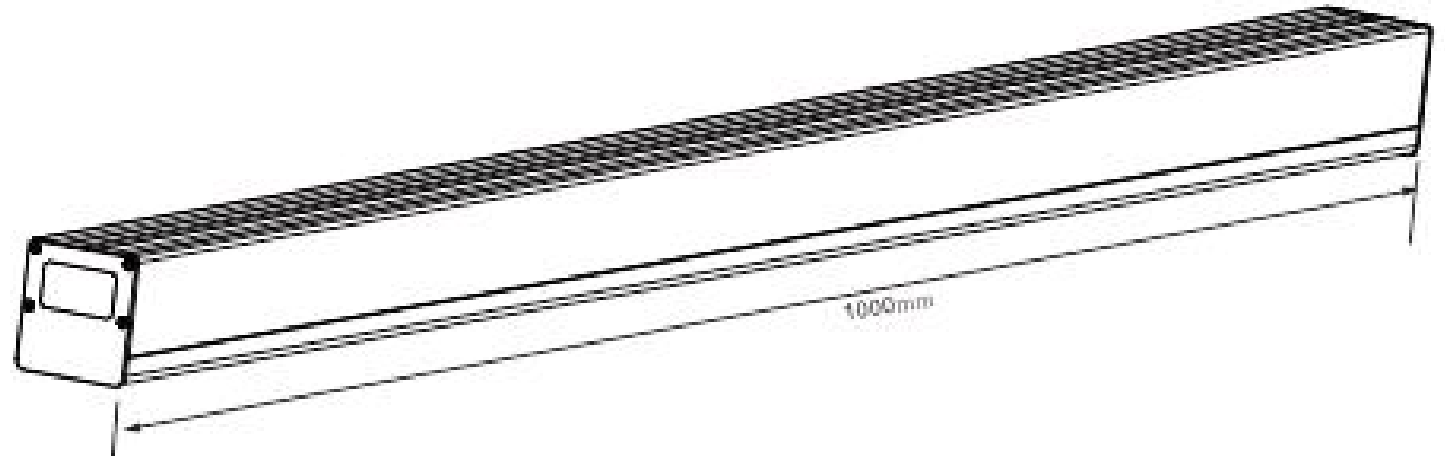
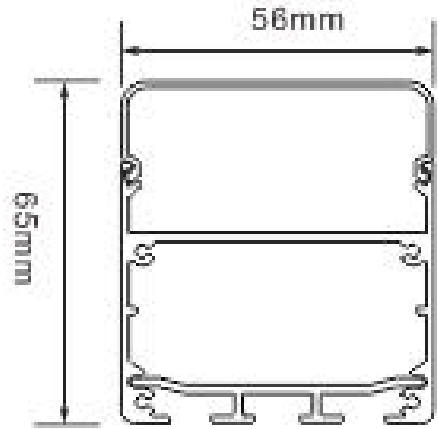
Ingenuity
Design
Excellent
Quality





Product size:

CL-5665XL100-WWW

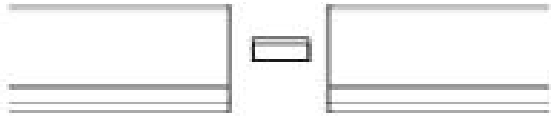


Parameters:

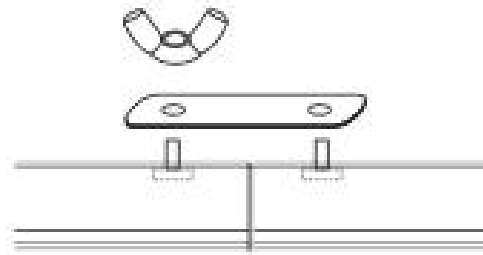
Item No.	CCT	Length(mm)	LED QTY	LED	Power(w)	Input voltage(v)	Work in current(A)	Im	Beam angle (°)	IP	CRI	PF	Working temperature
CL-5665XL100-WWW	2200	1000	192	2835	30	AC100-240	0.33	3000	120	IP40	80	0.9	-20~+45℃
	6500	1000	192	2835	30	AC100-240	0.33	3000	120	IP40	80	0.9	-20~+45℃

Installation instructions :

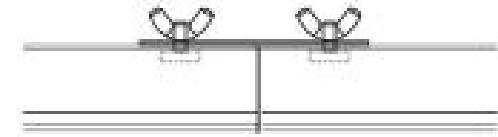
CL-5665XL100-WWW



Place connector at the right position

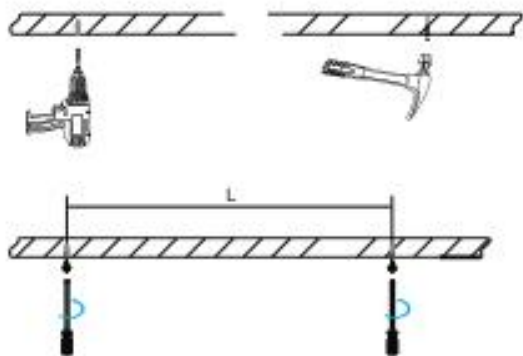


Put the connecting sheet through the 2 outside sliders of 4.

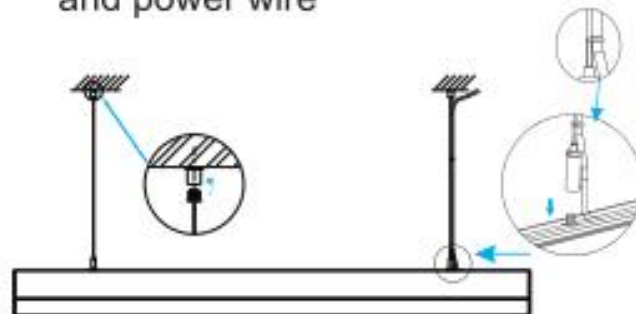


Tighten the screws

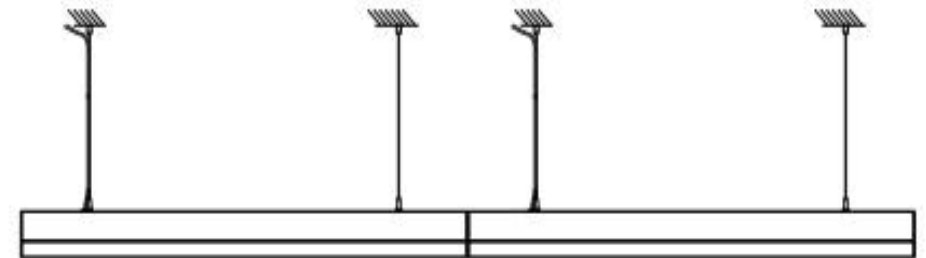
Hanging installation - drill holes for expansion bolt



Fixing light body, accessories and power wire

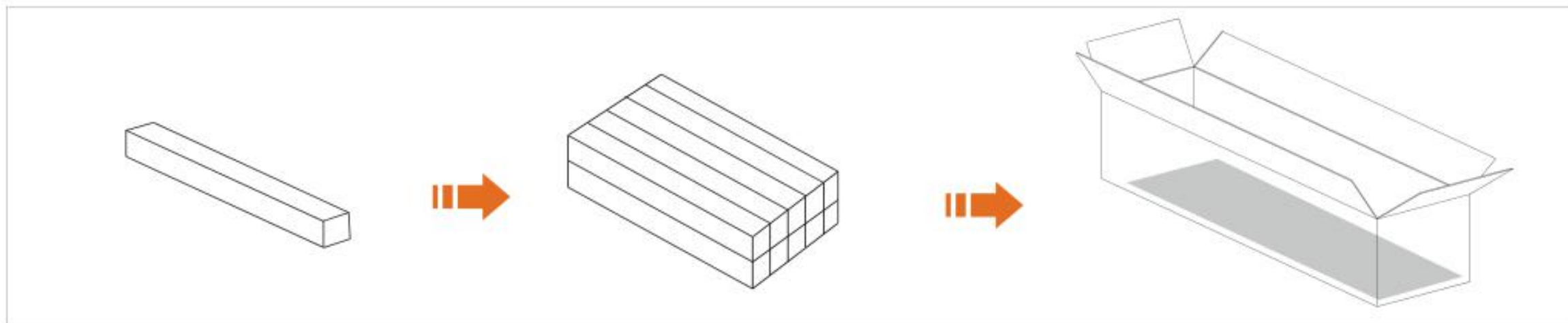


After installation completed, please check if the safety cap on the other side (without electric wire) is installed, which is necessary for your safety.



Package information:

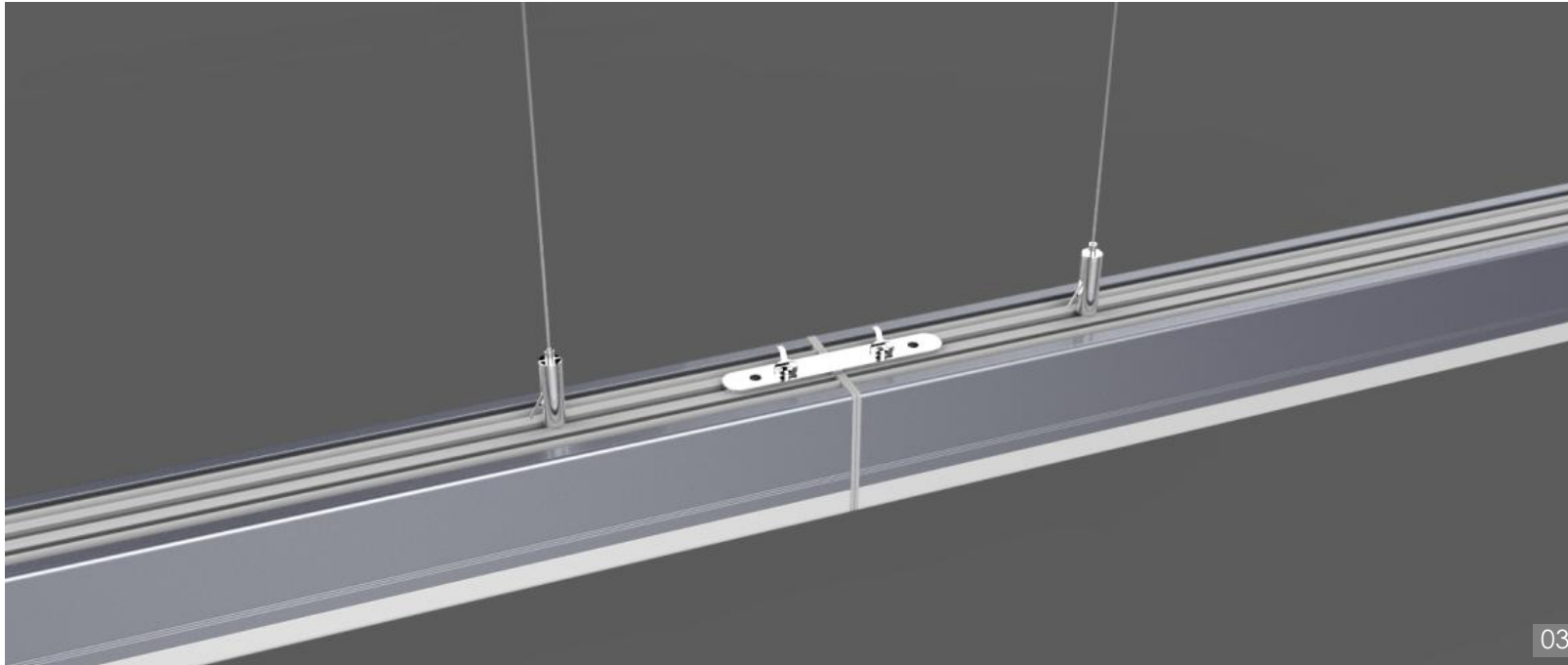
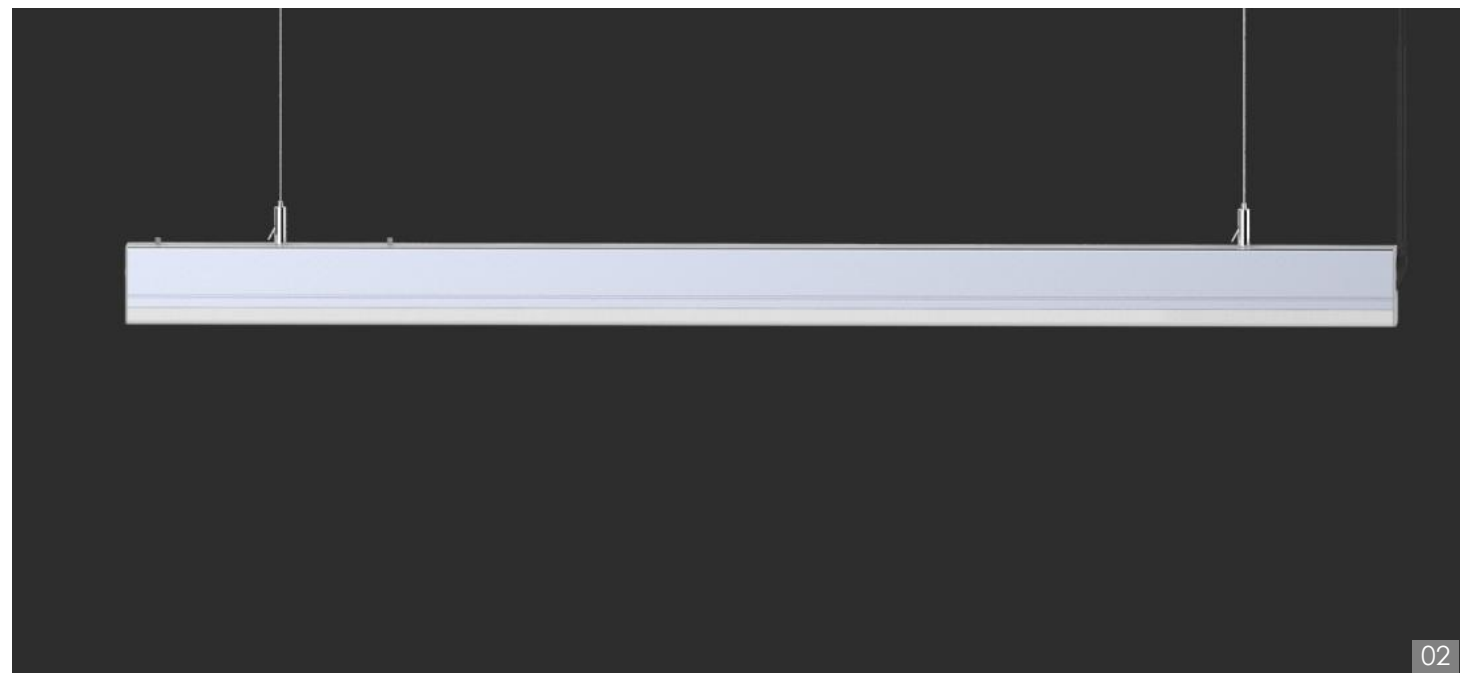
CL-5665XL100-WWW



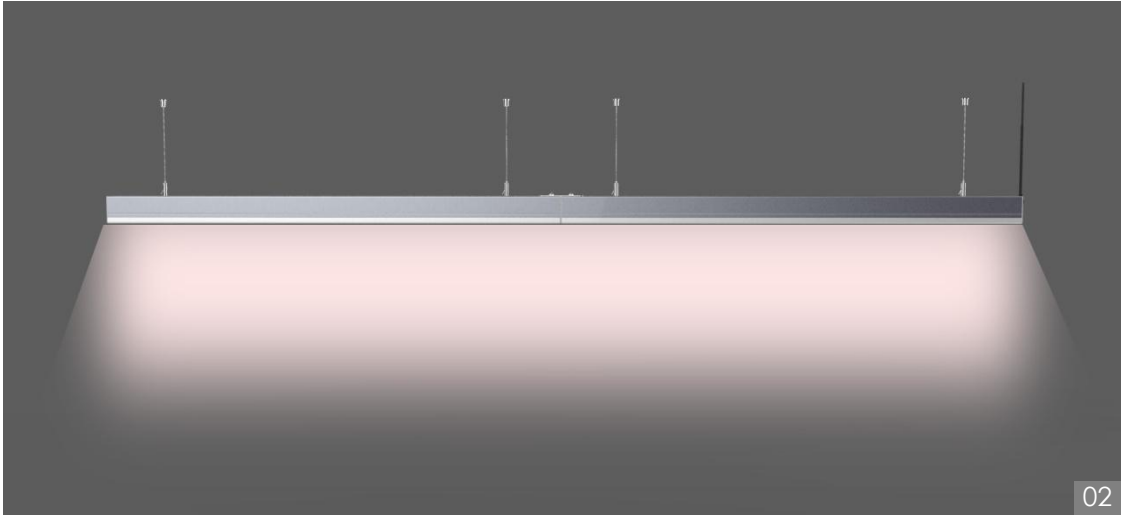
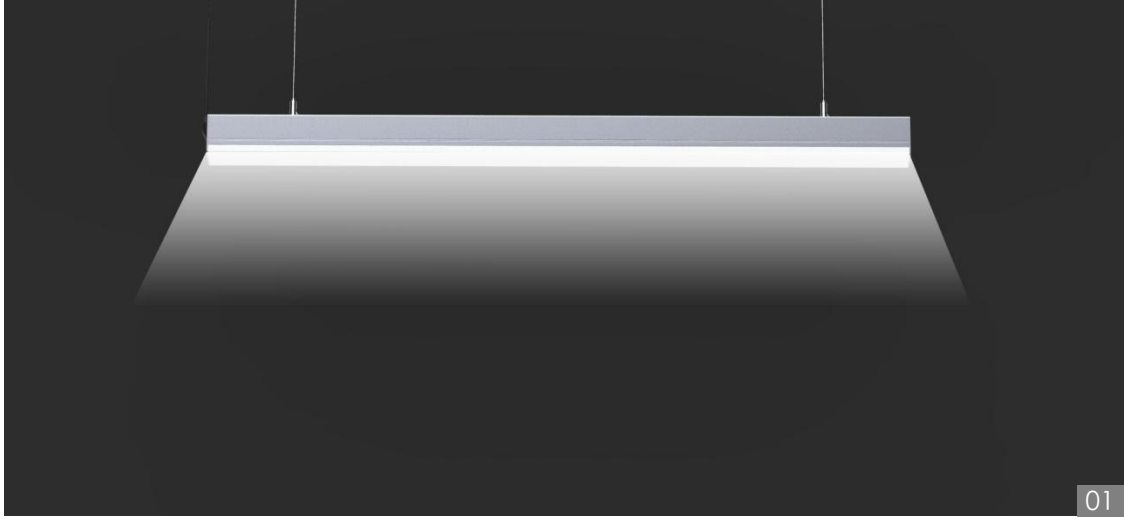
Type	Item NO.	Inner size	Carton size	QTY	GW	NW
LINEAR LIGHT SERIE S	CL-5665XL100-WWW	1100x65x75 mm	1280x320x175 mm	10 PCS	15kg	12kg

Product scene display



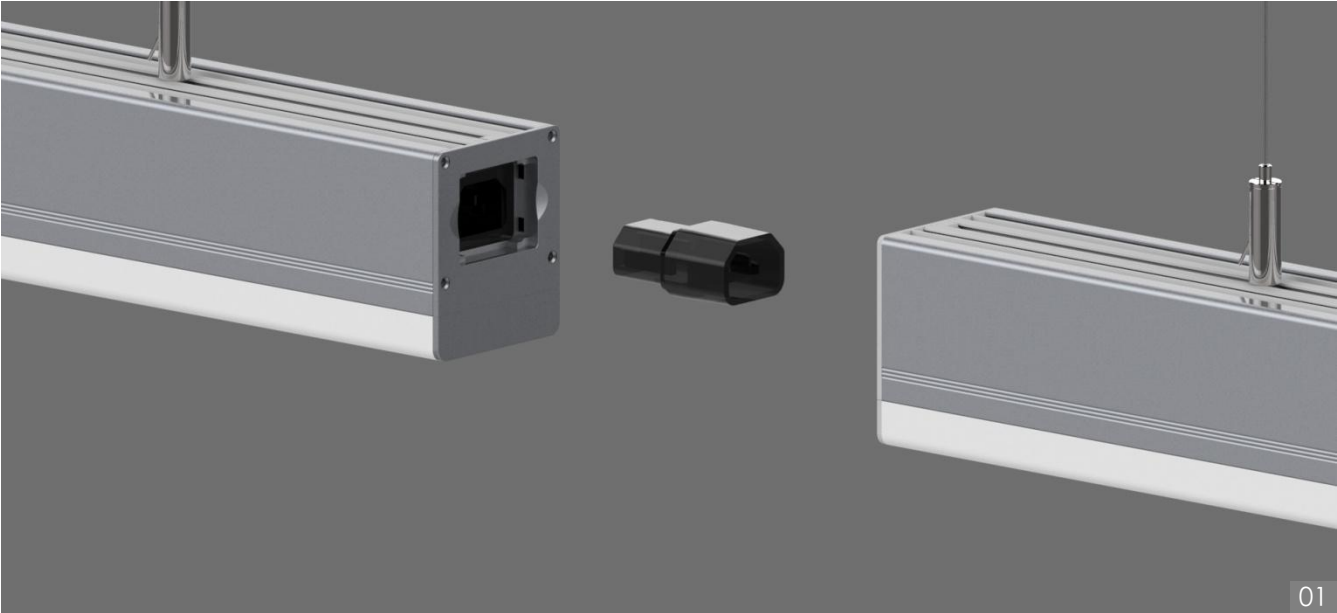


CL-5665XL100-WWW



CL-5665XL100-WWW

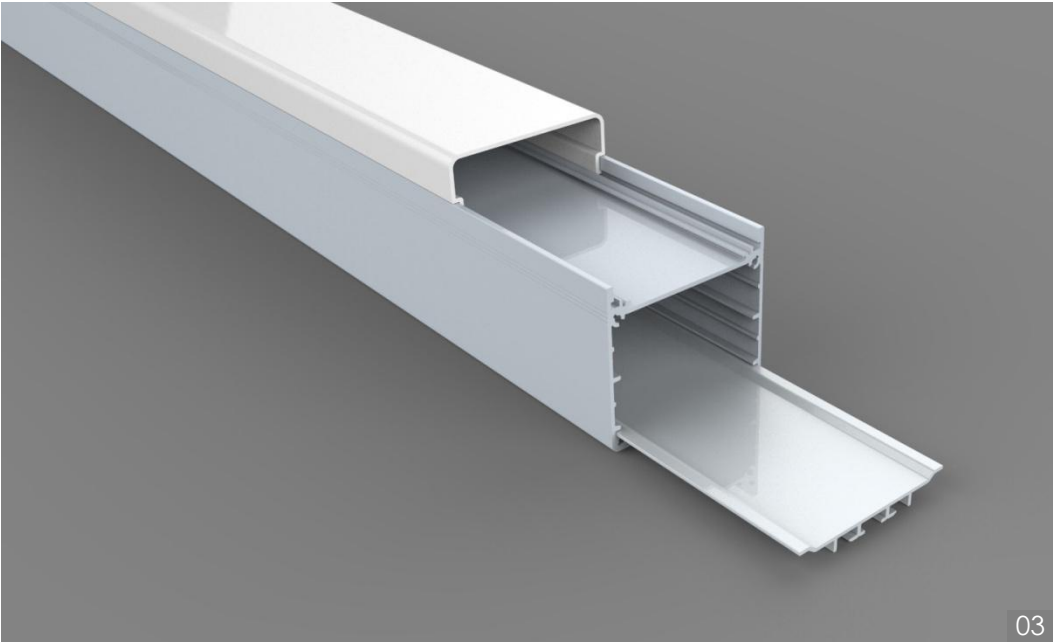
CL-5665XL100-WWW



01



02



03



Important notes

- A catalogue is not a substitute for a user manual. The installation illustrations above are for reference only.
- Always follow the instructions in the provided user manual.
- Cut only on the cut marks provided on the fixture housing.
- When applying linear solutions to a channel make certain to use an appropriate silicone adhesive between the base of the channel profile and the fixture housing to eliminate stretching over time.



For more information about our smart low voltage LED series or any other CL Lighting product, please get in touch:

 +86-755-27643784 | 36959611

 +86-755-27655433

 cl@banqcn.com

 www.cl-light.com

SHENZHEN CL LIGHTING TECHNOLOGY CO.,LTD

Address:4F Bldg. B 3rd Indl. Area Shiyan Bao'an Shenzhen China 518101