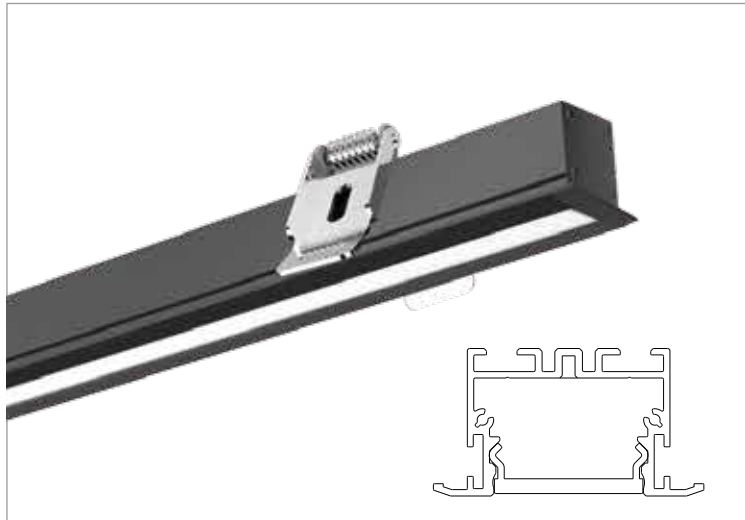


# CK40



Luminous Flux : 4500LM  
 Power : 50W  
 CCT : 3000K, 4000K  
 CRI > 80  
 Beam Angle : 100°  
 Input Voltage : 220-240VAC  
 Total Harmonic Distortion : <20%  
 Life Span : >50000Hrs(Ta=30°C@L70)  
 Operating Temperature : -30~+45°C  
 Storage Temperature : -40~+70°C  
 Junction Temperature(Tj) : <70°C(Ta=30°C)

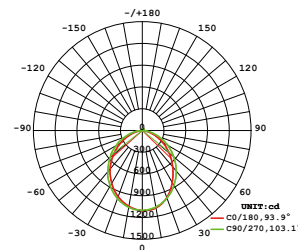
## CK40 Product Range

Model	CK40-10-F	CK40-12-F	CK40-15-F
Luminous Flux	2700LM	3600LM	4500LM
Power	30W	40W	50W
Luminous Efficacy	90lm/W	90lm/W	90lm/W
CCT	3000K, 4000K		
CRI	>80		
Beam Angle	100°		
Input Voltage	AC 220-240V (50/60Hz)		
IP Rating	IP40		
LED Driver	OSRAM X-power / Lifud		
Certifications	CE RoHS		

## Control

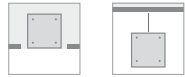
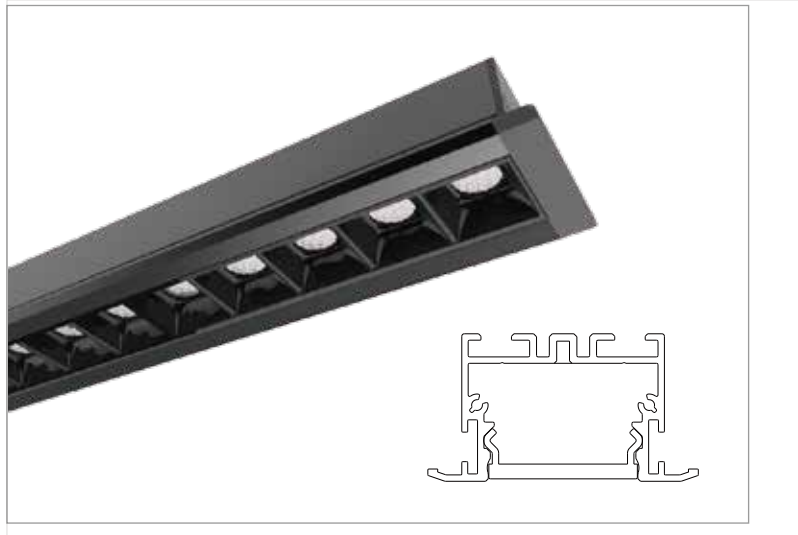
DALI

## Photometric Diagrams



CK40

# CK40



Luminous Flux : 1950LM  
 Power : 30W  
 CCT : 3000K, 4000K  
 CRI > 80  
 Beam Angle : 10° 24° 36° 48°  
 Input Voltage : 220-240VAC  
 Total Harmonic Distortion : <20%  
 Life Span : >50000Hrs(Ta=30°C@L70)  
 Operating Temperature : -30~+45°C  
 Storage Temperature : -40~+70°C  
 Junction Temperature(Tj) : <70°C(Ta=30°C)

## CK40 Product Range

Model	CK40-05	CK40-10	CK40-15
Luminous Flux	650LM	1300LM	1950LM
Power	10W	20W	30W
Luminous Efficacy	65lm/W	65lm/W	65lm/W
CCT	3000K, 4000K		
CRI	>80		
Beam Angle	10° 24° 36° 48°		
Input Voltage	AC 220-240V (50/60Hz)		
IP Rating	IP40		
LED Driver	OSRAM X-power / Lifud		
Certifications	CE RoHS		

## Control

DALI

## Photometric Diagrams

