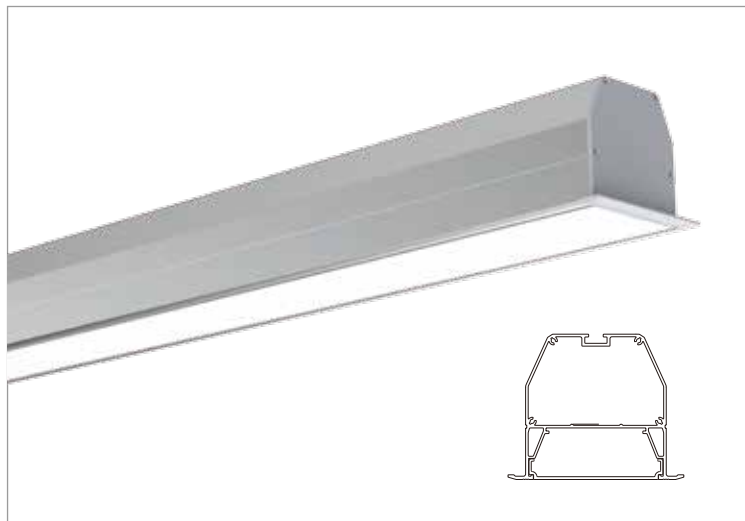


# CF75



Luminous Flux : 4800LM  
 Power : 60W  
 CCT : 3000K, 4000K,6000K  
 CRI > 80  
 Beam Angle :110°  
 Input Voltage : 200-240V AC  
 Total Harmonic Distortion : <20%  
 Life Span : >50000Hrs(Ta=30°C@L70)  
 Operating Temperature : -30~+45°C  
 Storage Temperature : -40~+70°C  
 Junction Temperature(Tj) : <70°C(Ta=30°C)

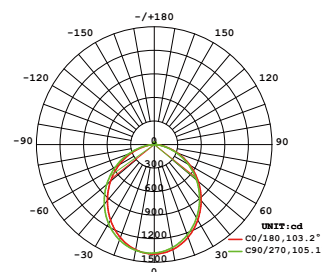
## CF75 Product Range

Model	CF75-10-SV	CF75-12-SV	CF75-15SV
Luminous Flux	3200LM	4000LM	4800LM
Power	40W	50W	60W
Luminous Efficacy	80lm/W	80lm/W	80lm/W
CCT	3000K, 4000K, 6000K		
CRI	>80		
Beam Angle	110°		
Size	W:75*H:62*L:1000mm	W:75*H:62*L:1200mm	W:75*H:62*L:1500mm
Input Voltage	200-240V		
IP Rating	IP40		
LED Driver	X-power		
Certifications	CE EMC		

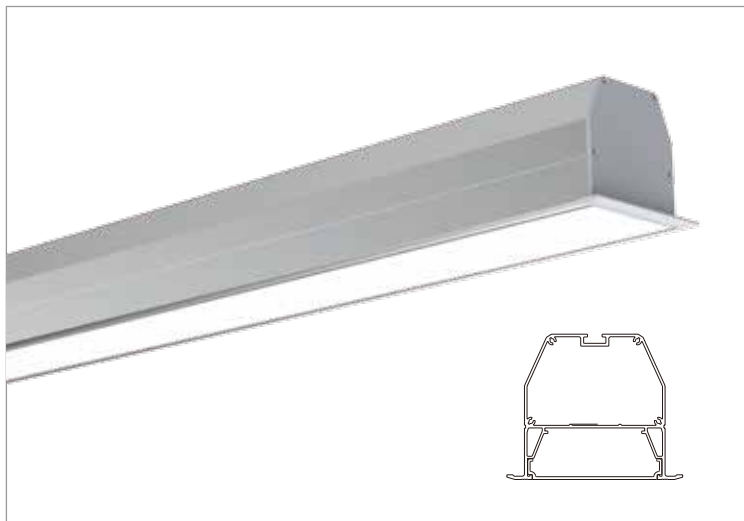
## Control

DALI

## Photometric Diagrams



# CF75



Luminous Flux : 4800LM  
 Power : 60W  
 CCT : 3000K, 4000K,6000K  
 CRI > 80  
 Beam Angle :110°  
 Input Voltage : 200-277V AC  
 Total Harmonic Distortion : <20%  
 Life Span : >50000Hrs(Ta=30°C@L70)  
 Operating Temperature : -30~+45°C  
 Storage Temperature : -40~+70°C  
 Junction Temperature(Tj) : <70°C(Ta=30°C)

## CF75 Product Range

Model	CR75-10-WW	CR75-12-WW	CR75-15-WW
Luminous Flux	3200LM	4000LM	4800LM
Power	40W	50W	60W
Luminous Efficacy	80lm/W	80lm/W	80lm/W
CCT	3000K, 4000K, 6000K		
CRI	>80		
Beam Angle	110°		
Size	W:75*H:62*L:1000mm	W:75*H:62*L:1200mm	W:75*H:62*L:1500mm
Input Voltage	100-277V		
IP Rating	IP40		
LED Driver	X-power		
Certifications	CE EMC		

## Control

DALI

## Photometric Diagrams

